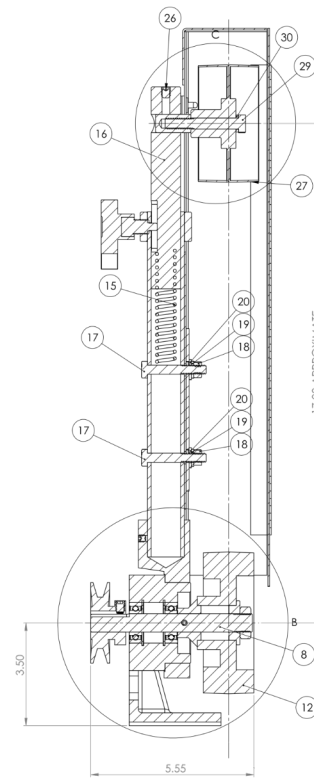
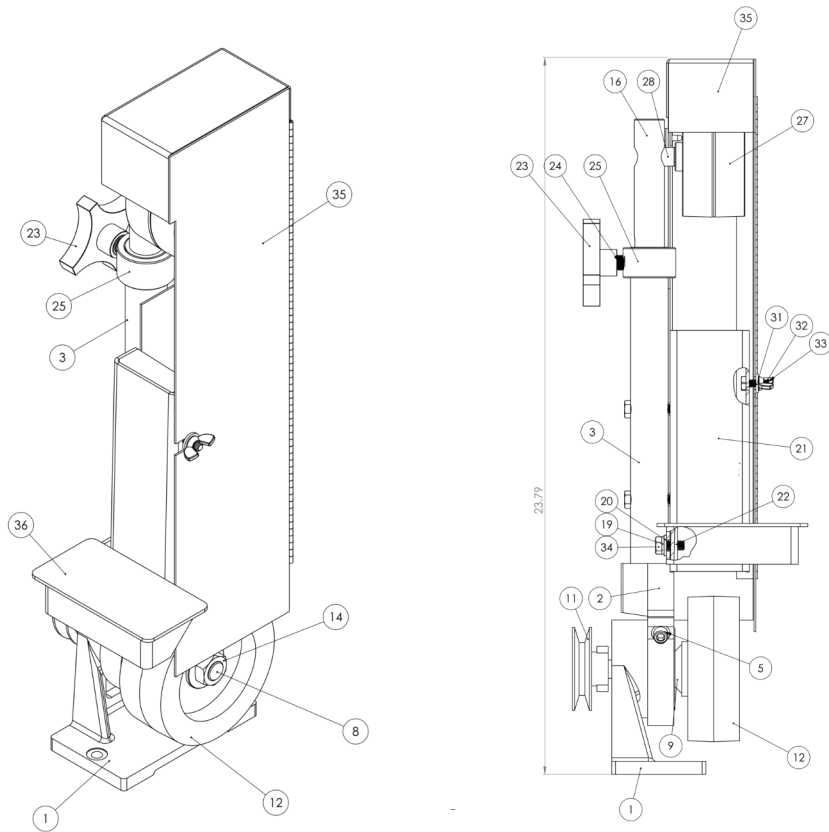


# 2FS 2" X 48" BELT SANDER REPLACEMENT PARTS LIST



ITEM NO.	PART NUMBER	DESCRIPTION	QTY.
1	041-011	BASE BRACKET FOR 2FS AND DS10-2M	1
2	041-010	BRACKET, TUBE SUPPORT FOR 2FS, 2FS72, 2SK7	1
3	829-003	TUBE SUPPORT FOR 2FS, 2FSM, 2SK7 (SOLD W 041-010)	1
4	SSKA025004	1/4-20 X 1/4 SOC SET KNURL PT.	1
5	SHCA031016	5/16-18 X 1 SHCS	1
6	641-015	RETAINING RING N5000-137 BLACK PHOSPHATE FOR 2FS, 2FS72 BASE	2
7	044-007	K10 BEARING	2
8	701-009SPINDLE	SPINDLE FOR 2FS	1
9	292-024	TIGHT FLANGE FOR 936-004 DRIVE WHEEL FOR 2FS SANDER	1
10	ROLA018016	3/16 X 1 ROLL PIN	1
11	560-004	5/8 MOTOR PULLEY, ALUMINUM-275A6 FOR K7B,K8B,2FS,2FS72M(OLD STYLE)	1
12	936-004	2FS DRIVE WHEEL	1
13	292-017	LOOSE FLANGE FOR 2FS	1
14	FJNZ063	5/8-18 F H JAM NUT Z	1
15	697-013	TENSION SPRING FOR 2FS, 2FS72, 2FSM, BG142, 2FS72M, K12-14B	1
16	645-008	TENSION ROD FOR 2FS, 2FSM, 2FS72, 2SK7 SANDERS	1
17	HHC5031032	5/16-18 X 2 HHCS GR5 Z	2
18	FHN5031	5/16-18 FHN GR5 ZINC	2
19	SLWZ031	5/16 SPLIT L/W Z	3
20	UFWZ031	5/16 USS F/W Z	3
21	550-007-A	PLATEN FOR 2FS	1
22	BUCKND2724	5/16-18 DOUBLE TAP SPOTWELD NUT	1
23	441-011P	2840-R CCS-BLK 1/2 X 25/32 CI-1622 TRACKING KNOB	1
24	698-007	STUD INSERT FOR 441-011 TRACKING KNOB FOR 2FS	1
25	123-004	TRACKING COLLAR FOR 2FS, 2FS72, 2FSM, 2SK7, BG142	1
26	SSKA031006	5/16-18 X 3/8 SOC SET KNURL PT.	1
27	936-030	STEEL IDLER PULLEY, NEW STYLE FOR 2FS, 2FSM, 2SK7	1
28	004-006	ADAPTOR FOR 936-003 IDLER PULLEY	1
29	HHC5037040	3/8-16 X 2-1/2 HHCS GR5 Z	1
30	SLWZ037	3/8 SPLIT L/W Z	1
31	UFWZ025	1/4 USS F/W Z	1
32	WGNZ025	1/4-20 FORGED WING NUT Z	1
33	HHC5025012	1/4-20 X 3/4 HHCS GR5 Z	1
34	HHC5031012	5/16-18 X 3/4 HHCS GR5 Z	1
35	342-018	GUARD, HINGED OSHA FOR 2FS, 2FSM, 2SK7 SANDERS	1
36	829-004	WORK TABLE FOR 2", 4", DS10-4 SANDERS	1