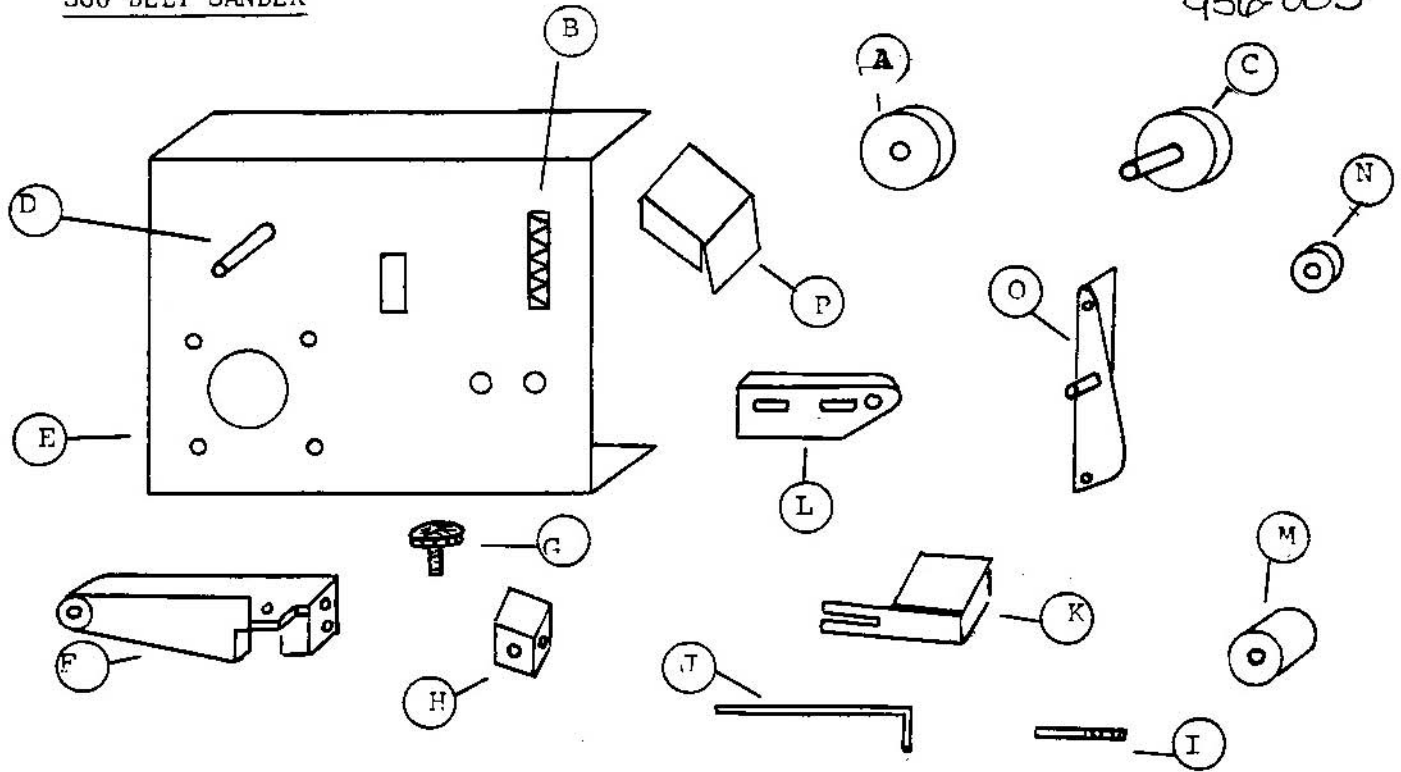


KI KALAMAZOO INDUSTRIES, INC.

6856 East K Avenue
 Kalamazoo, MI 49048
 269-382-2050 PH
 269-382-0790 FAX
 www.kalamazooindustries.com

S60 BELT SANDER



A. DRIVE WHEEL	#560-010	I. PIVOT PIN	#562-014
B. TENSION BRACKET	#041-014	J. HANDLE	#455-001
C. IDLER WHEEL	#936-003	K. TOOL REST	#824-010
D. IDLER PIN	#562-013	L. ADJUSTING BAR	#048-003
E. FRAME	#291-003	M. CONTACT WHEEL 3"	#936-005
F. TRACKING ARM	#002-009	N. CONTACT WHEEL 1½"	#936-006
G. TRACKING KNOB	#696-009	O. PLATEN	#563-001
H. TRACKING BLOCK	#053-004	P. BELT GUARD	#342-015

1. To obtain proper belt tension, lift spring handle (J) and engage in proper notch (B). (Only moderate pressure required).
2. To track abrasive belt, rotate knob (G).

Always wear protective eye covering when using this machine.