



KALAMAZOO INDUSTRIES, INC.

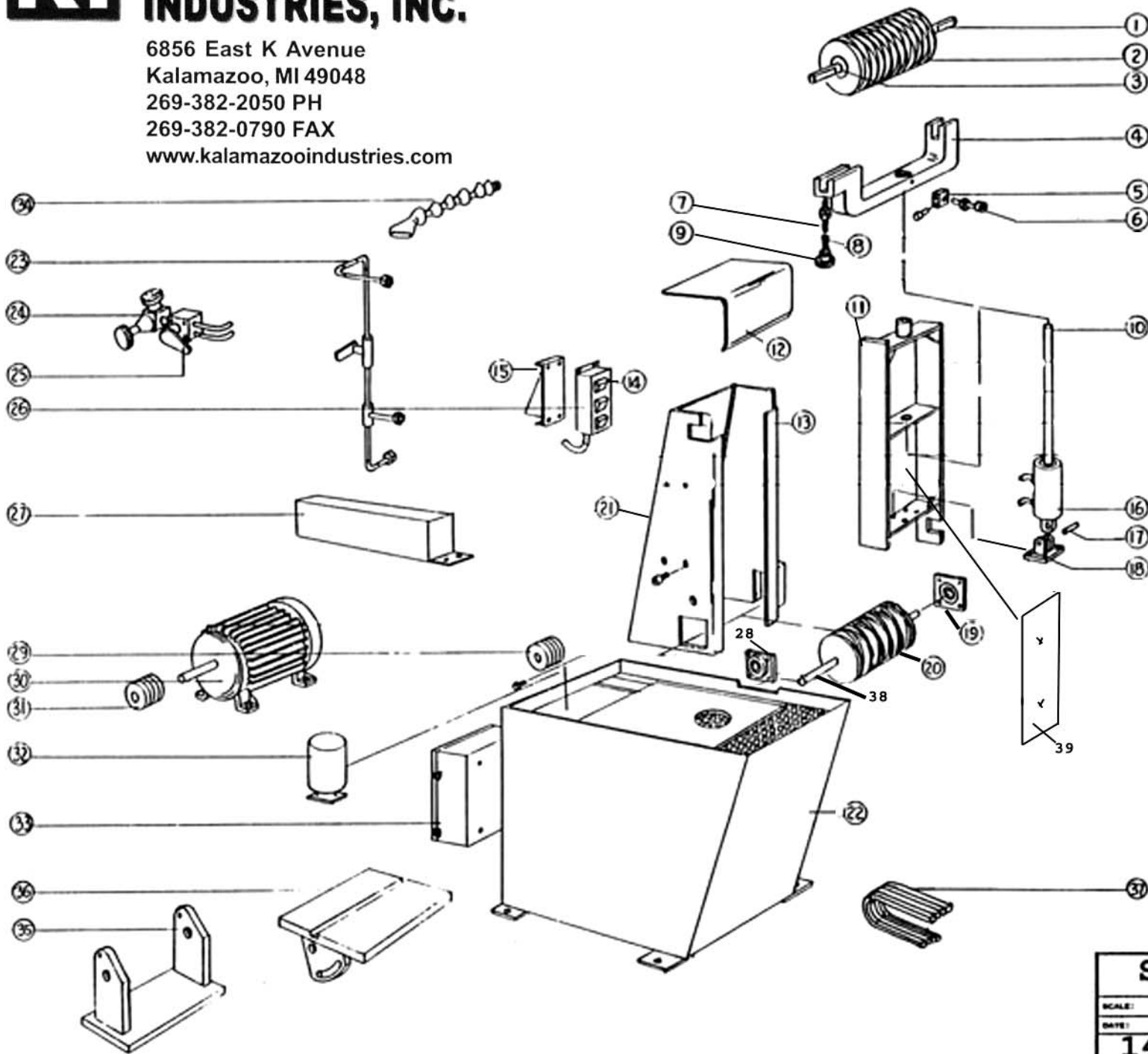
6856 East K Avenue

Kalamazoo, MI 49048

269-382-2050 PH

269-382-0790 FAX

www.kalamazooindustries.com



ITEM	PT NUMBER	DESCRIPTION	QTY
1	701-030	SPINDLE IDLER	1
2	560-028	PULLEY IDLER	1
3	123-009	COLLAR	2
4	960-009	YOKE IDLER	1
5	053-009	BLOCK Adj.	1
6		3/16-18 Adj. Scr.	1
7	441-016	KNOB TRACKING	1
8	1
9	1
10	575-006	POST IDLER YOKE	1
11	291-010	FRAME WELDMENT	1
12		GUARD IDLER PULLEY	1
13	DOOR	FRAME HOUSING	1
14		CONTROL JOG	1
15	041-031	BRACKET CONTROL	1
16	131-013	CYLINDER TENSION	1
17		CYLINDER PIN	1
18	134-565	BRKT. CYLINDER MTG	1
19	044-013	BEARING FLANGE	2
20	560-041	PULLEY CRIVE	1
21	291-026	FRAME HOUSING	1
22		CABINET BASE	1
23		COOLANT LINE ASSY	1
24	1000-37	AIR REG ASSY.	1
25	PG1112	AIR VALVE	1
26		SWITCH ASSY	1
27		BELT GUARD	1
28	044-013	BEARING FLANGE	2
29	4V4.5	CRIVE PULLEY	1
30		MOTOR 15 HP	1
31	4V4.5	PULLEY MOTOR	1
32		PUMP COOLANT	1
33		ELECTRICAL BOX	1
34	1000-38	COOLANT HOSE	2
35	711-013	BRKT. TABLE SUPPORT	1
36	889-023	TABLE	1
37	051-017	BELT DRIVE	4
38	701-106	Drive Spdl	1
39	563-006	Platen	1
40			

S14D, S14W

SCALE:	APPROVED BY:	DRAWN BY: C.N.
DATE:	REVISION:	
14" x 103" belt		
DRAWING NUMBER		