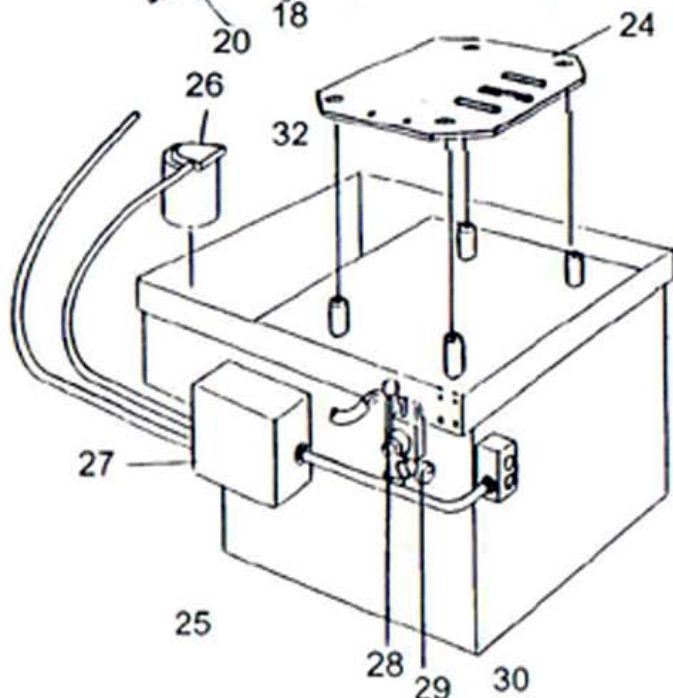
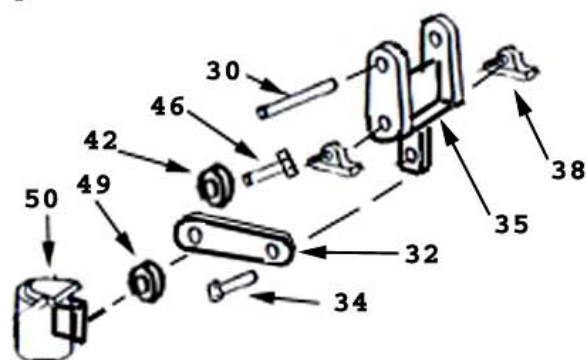


Optional Oscillation



NO.	PART NO.	DESCRIPTION	QTY
1	051-005	V-BELT	4
2	486-020	15HP SD MOTOR	1
	486-009	20HP MOTOR	1
3	560-019	MOTOR PULLEY-15HP	1
	560-021	MOTOR PULLEY-20HP	1
4		MOTOR MOUNT	1
5	342-039	BELT GUARD	1
6	560-020	SPINDLE PULLEY-15HP	1
	560-022	SPINDLE PULLEY-20HP	1
7	701-010	SPINDLE W/TIGHT FLANGE	1
8	292-011	LOOSE FLANGE	1
9		FLEXIBLE HOSE W/NOZZLE	1
10		COOLANT VALVE	1
11		COOLANT HOSE	1
12	342-013	WHEEL GUARD	1
13		AIR LINE	2
14	002-015	ARM PIVOT	1
15		CYLINDER	1
16		24" LONG CHAIN	1
17		PILLOW BLOCK	2
18	699-027	SPACER	2
19	560-036	PULLEY, FOR CHAIN	1
20	700-015	SHAFT, FOR CHAIN	1
21	293-013	FENCE L.H.	1
22	293-014	FENCE R.H.	1
23	053-011	BLOCK, CHAIN ANCHOR	1
24	556-037	PLATE, TOP	1
25	716-019W	STAND ASSEMBLY	1
26	716-011	COOLANT PACKAGE	1
27	710-006	MAGNETIC SWITCH	1
28	912-014	4-WAY VALVE	1
29	912-006	AIR GAGE & REGULATOR	1
30		PUSH BUTTON SWITCH	1
31		1/2x13x1-5/8 FHSS	4
32	576-005	PAN COOLANT	1
33	002-005	ARM PIVOT	1
34	700-002	TRUNNION PIN	1
35	831-002	TRUNION	2
36		Bearings	2

KI **KALAMAZOO INDUSTRIES, INC.**

6856 East K Avenue
 Kalamazoo, MI 49048
 269-382-2050 PH
 269-382-0790 FAX
 www.kalamazooindustries.com