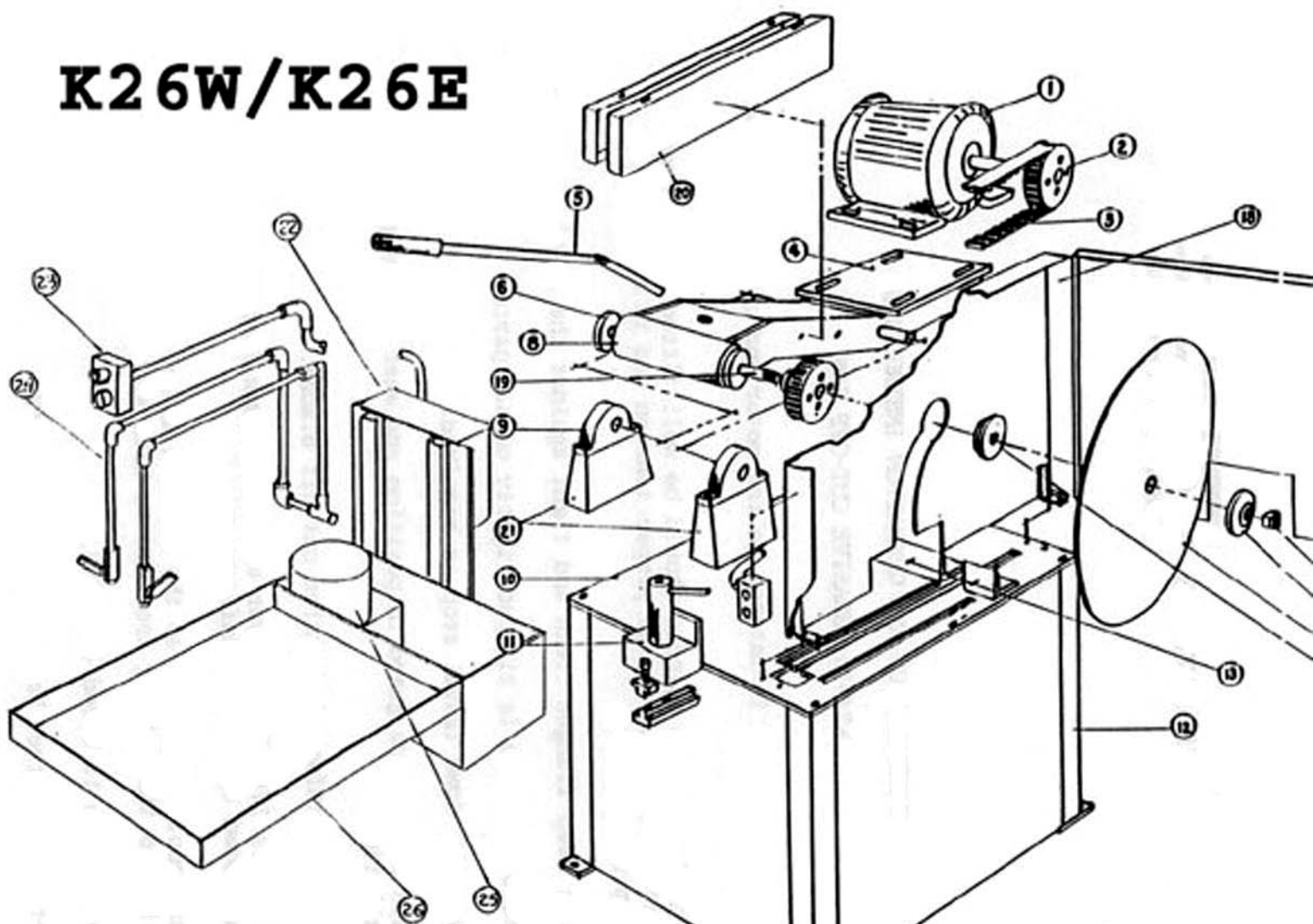


# K26W/K26E

ITEM NO.	DESCRIPTION	QTY.
1	486-013 MOTOR	1
2	560-027 PULLEY	2
3	051-008 BELT	1
4	MOTOR BASE	1
5	381-008 HANDLE	1
6	044-009 BEARING	2
7		
8	002-013 ARM ASSY.	1
9	044-008 BLOW BLOCK	2
10	556-028 TOP PLATE	1
11	CV-26 VISE	2
12	716-004 BASE	1
13	<del>111-001</del> <del>221-001</del> FENCE	1
14	292-018 FLANGE	2
15	ABRASIVE WHEEL	1
16	292-013 FLANGE	1
17	1-14 R.H. HEAVY NUT	1
18	342-040 G'AREC	1
19	701-026 SPINDLE	1
20	342-041 BELT GUARD	1
21	053-015 BLOCK	2
22	247-002 ELECT. BOX	1
23	247-003 CONT. BOX	1
24	386023 HOSE ASSEMBLY	2
25	486-014 COOLANT PUMP	1
26	716-004W	1



**KI KALAMAZOO INDUSTRIES, INC.**

6856 East K Avenue  
Kalamazoo, MI 49048  
269-382-2050 PH  
269-382-0790 FAX

[www.kalamazooindustries.com](http://www.kalamazooindustries.com)