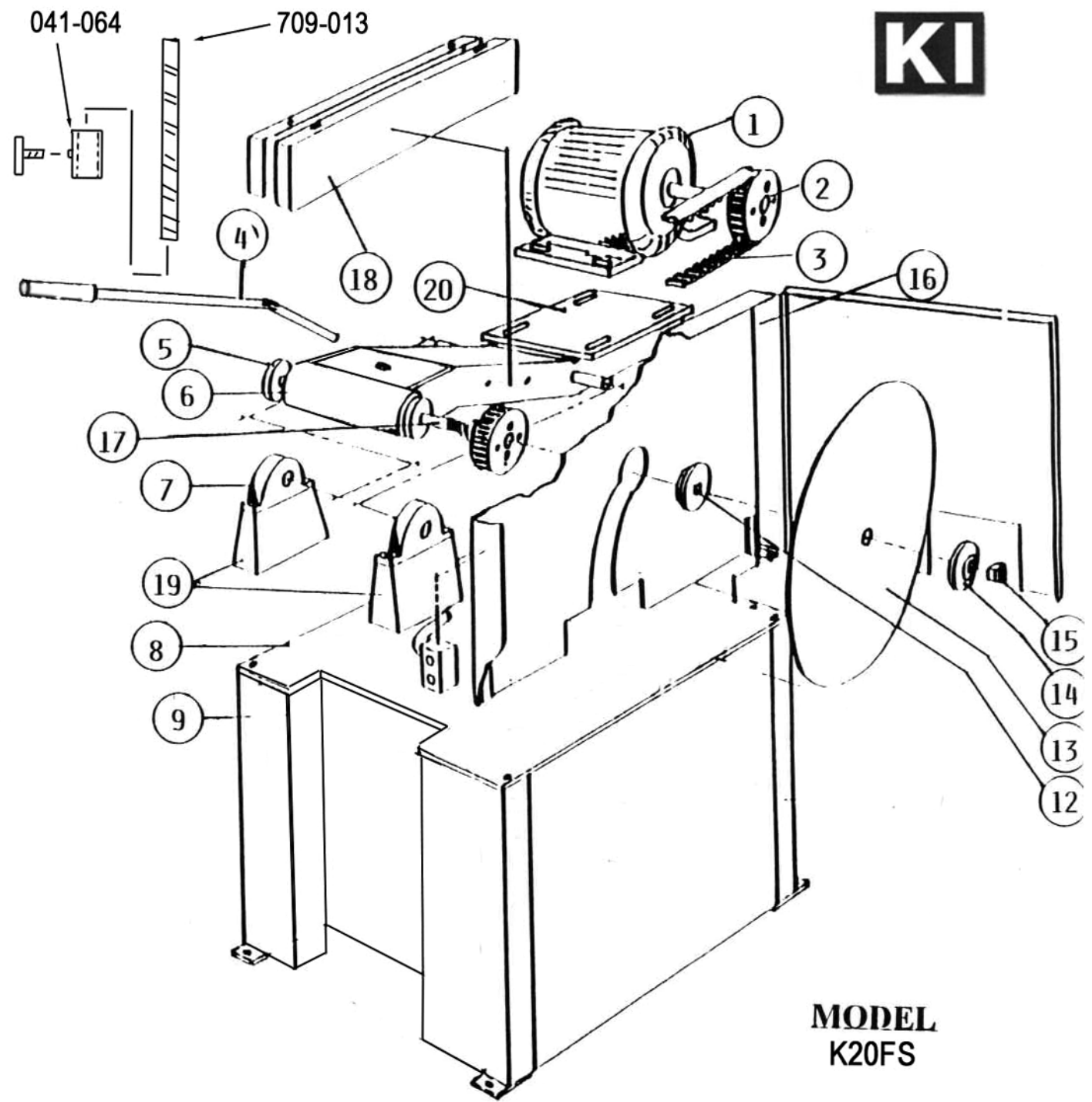


KALAMAZOO INDUSTRIES, INC.
 269-382-2050 PHONE / 269-382-0790 FAX



| PART NO. | DESCRIPTION | QTY |
|----------|---------------------------|-----|
| 1 | 20HP MOTOR | 1 |
| 2 | 560-027 PULLEY | 2 |
| 3 | 051-008 TIMING BELT | 1 |
| 4 | 381-008 SAW HANDLE W/GRIP | 1 |
| 5 | 044-009 SPINDLE BEARING | 2 |
| 6 | 002-013 SAW ARM | 1 |
| 7 | 044-008 PILLOW BLOCK BRG | 2 |
| 8 | 829-041 TOP PLATE | 1 |
| 9 | SAW BASE | 1 |
| 10 | | 1 |
| 12 | 292-021 TIGHT FLANGE | 1 |
| 13 | 26-R ABR WHEEL-NOT INCL. | 1 |
| 14 | 292-013 LOOSE FLANGE | 1 |
| 15 | 1-14" R.H. SPINDLE NUT | 1 |
| 16 | 342-040 WHEEL GUARD | 1 |
| 17 | 701-026 SPINDLE | 1 |
| 18 | 342-041 BELT GUARD | 1 |
| 19 | 053-015 TRUNNION BLOCK | 2 |
| | 562-029 TRUNNION PIN | 1 |
| 20 | MOTOR MOUNT | 1 |



**MODEL
K20FS**