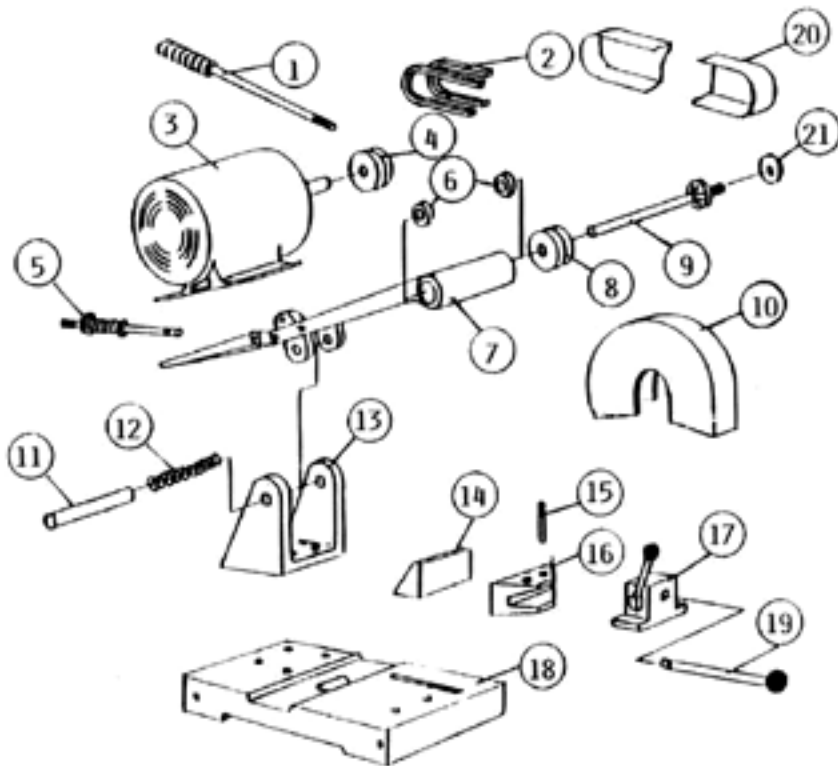
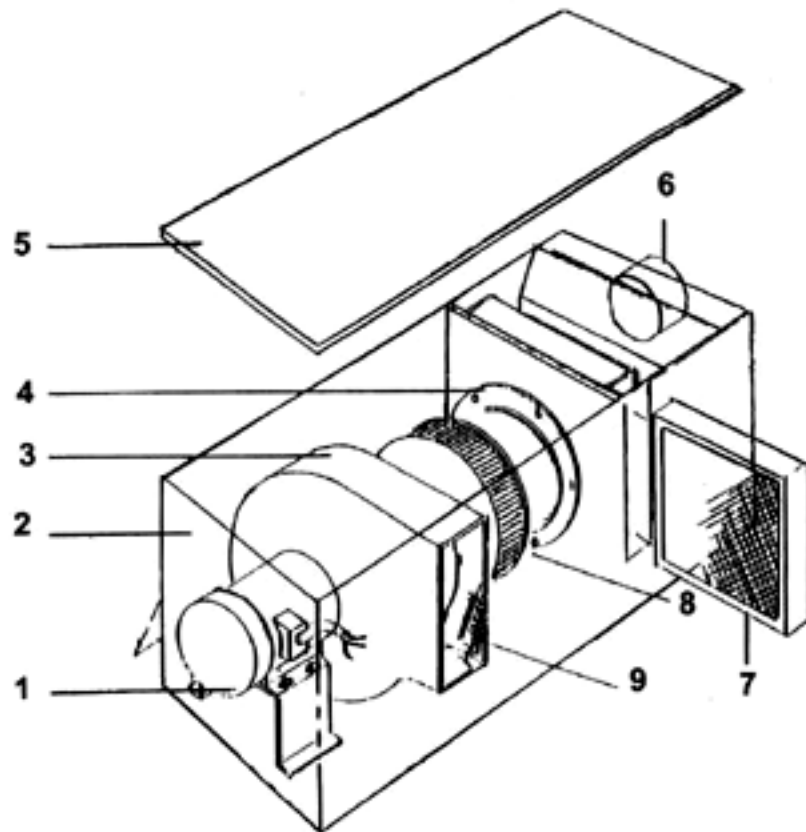


Model K12-14V Parts



	PART NO.	DESCRIPTION
1	381-002	HANDLE W/GRIP
2	051-006	V-BELT 3V375 (2)
3		5HP MOTOR
4	560-002	MOTOR PULLEY
5	645-004	STOP ASSEMBLY
6	044-001	K12 BEARING (2)
7	002-002	SAW ARM
8	560-001	SPINDLE PULLEY
9	701-002	SPINDLE W/FLANGE
10	342-003	12" WHEEL GUARD
	342-025	14" WHEEL GUARD
11	562-003	TRUNNION PIN
12	697-018	TRUNNION SPRING
13	041-003	TRUNNION
14	431-002	REAR VISE JAW
15	562-001	VISE JAW PIN
16	431-001	FRONT VISE JAW
17	386-001	VISE HOUSING ASSY
18	050-002	SAW BASE
19	645-001	VISE ROD W/KNOB
20	342-004	BELT GUARD
21	292-004	LOOSE FLANGE
	912-015	VISE ASSY/LESS JAW

MODEL DCV-6 DUST COLLECTOR



ITEM	PART NO	DESCRIPTION
1	486-002	1HP, 1PH MOTOR, CL3509
	486-004	1HP, 3PH MOTOR, CM3545
2	124-005	CABINET
3	386-026	HOUSING, FAN
4	004-005	INLET CONE
5	124-006	CABINET COVER
6		4" INLET
7	294-003	FILTER
8		EXHAUST OUTLET
9	296-001	FAN, SQUIRREL CAGE

KALAMAZOO INDUSTRIES, INC.
 6856 EAST K AVENUE
 KALAMAZOO, MI 49048-6042
 269-382-2050 PHONE
 269-382-0790 FAX