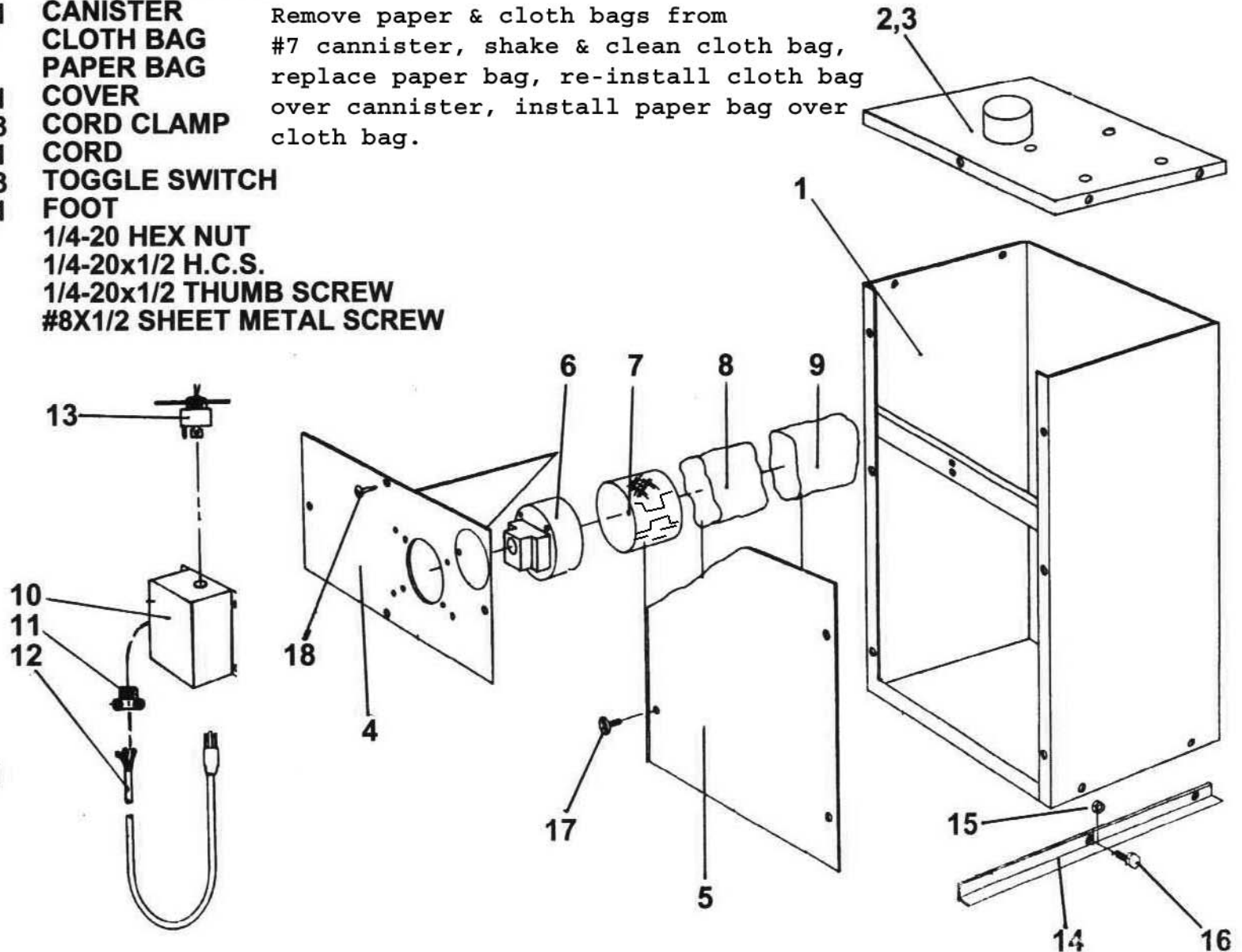


ITEM	PART NO.	DESCRIPTION
1	124-001	CABINET
2	833-001	TOP FOR S4S
3	833-002	TOP FOR DS10
4	540-002	MOUNTING PANEL
5	162-001	DOOR
6	486-005	VACUUM MOTOR
7	120-001	CANISTER
8	5X878	CLOTH BAG
9	22211	PAPER BAG
10	122-001	COVER
11	146-003	CORD CLAMP
12	159-001	CORD
13	710-003	TOGGLE SWITCH
14	294-001	FOOT
15	----	1/4-20 HEX NUT
16	----	1/4-20x1/2 H.C.S.
17	----	1/4-20x1/2 THUMB SCREW
18	----	#8X1/2 SHEET METAL SCREW

KALAMAZOO INDUSTRIES, INC.
6856 EAST K AVENUE
KALAMAZOO, MI 49048-6042
269-382-2050 PH 269-382-0790 FAX

Remove paper & cloth bags from #7 cannister, shake & clean cloth bag, replace paper bag, re-install cloth bag over cannister, install paper bag over cloth bag.



MODEL DCV-4

DIMENSIONS:
12"L x 16"W x 32"H