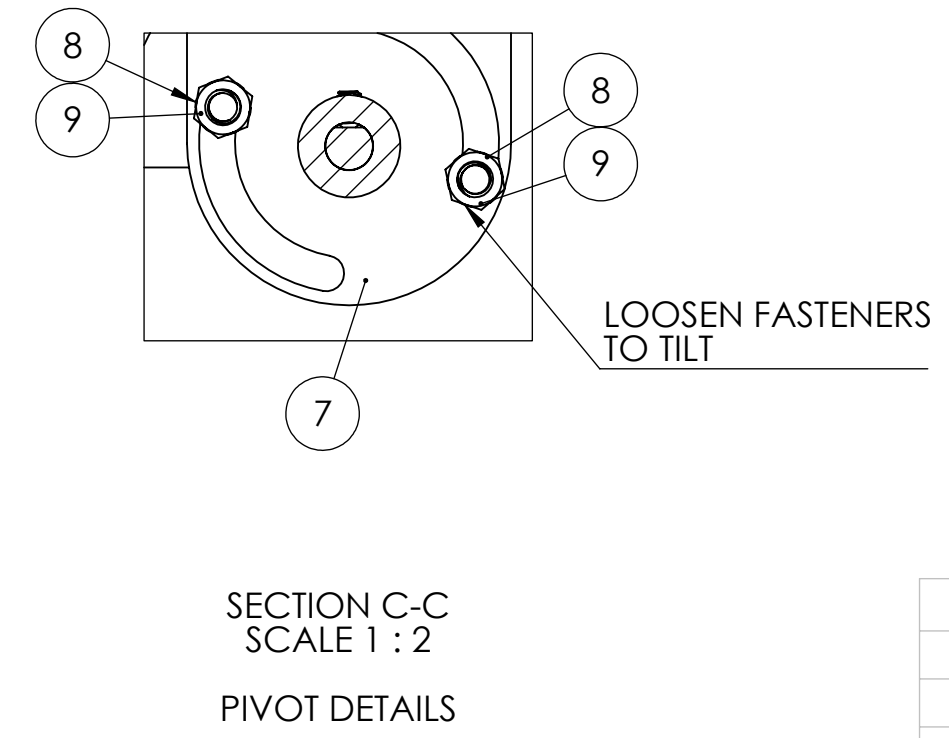
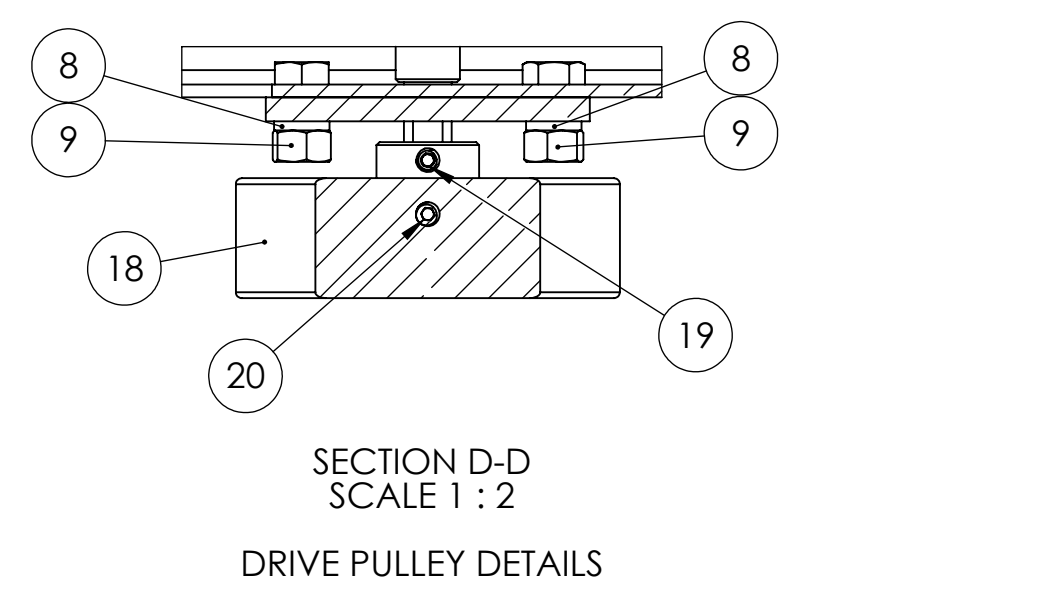
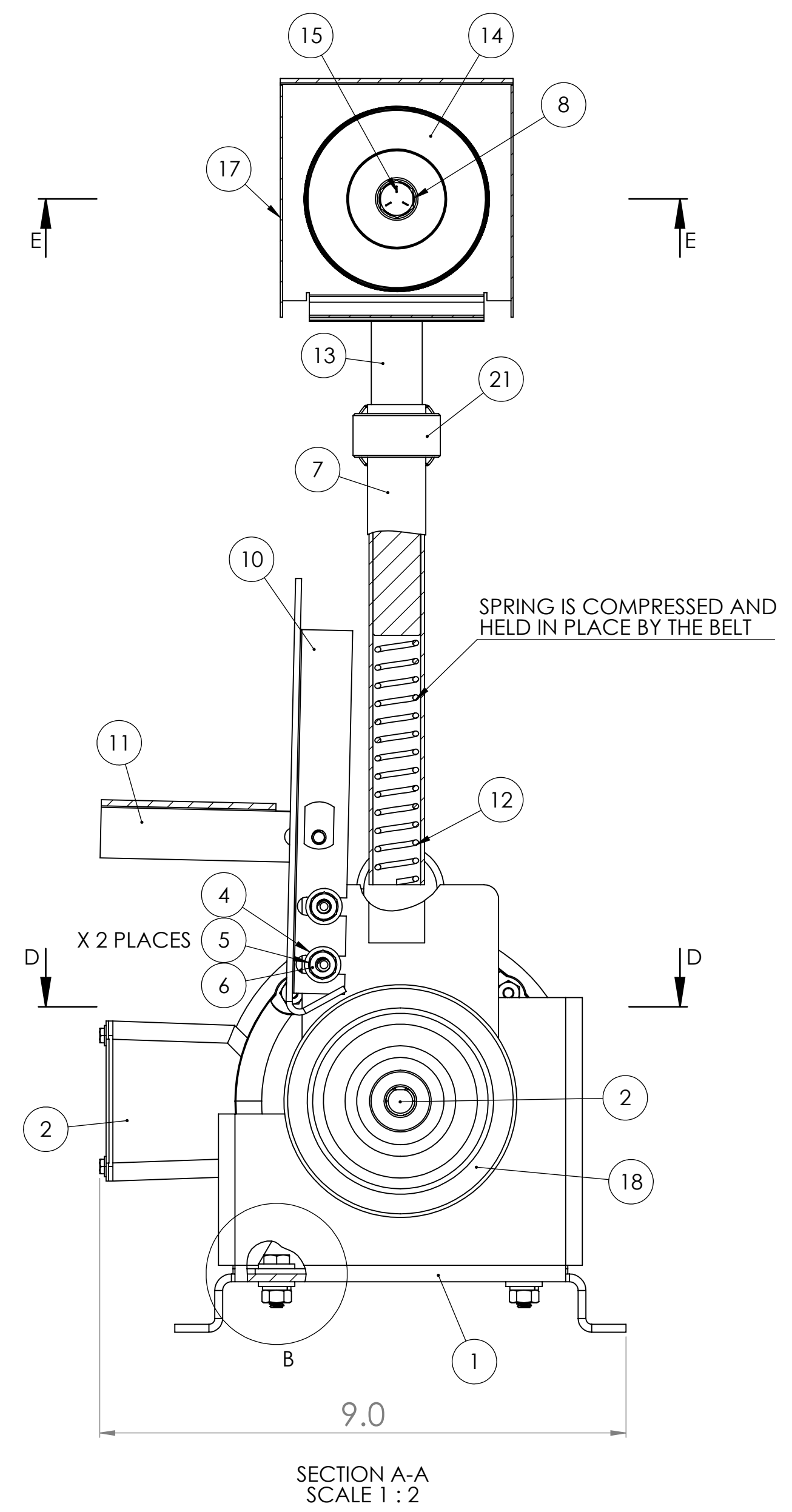
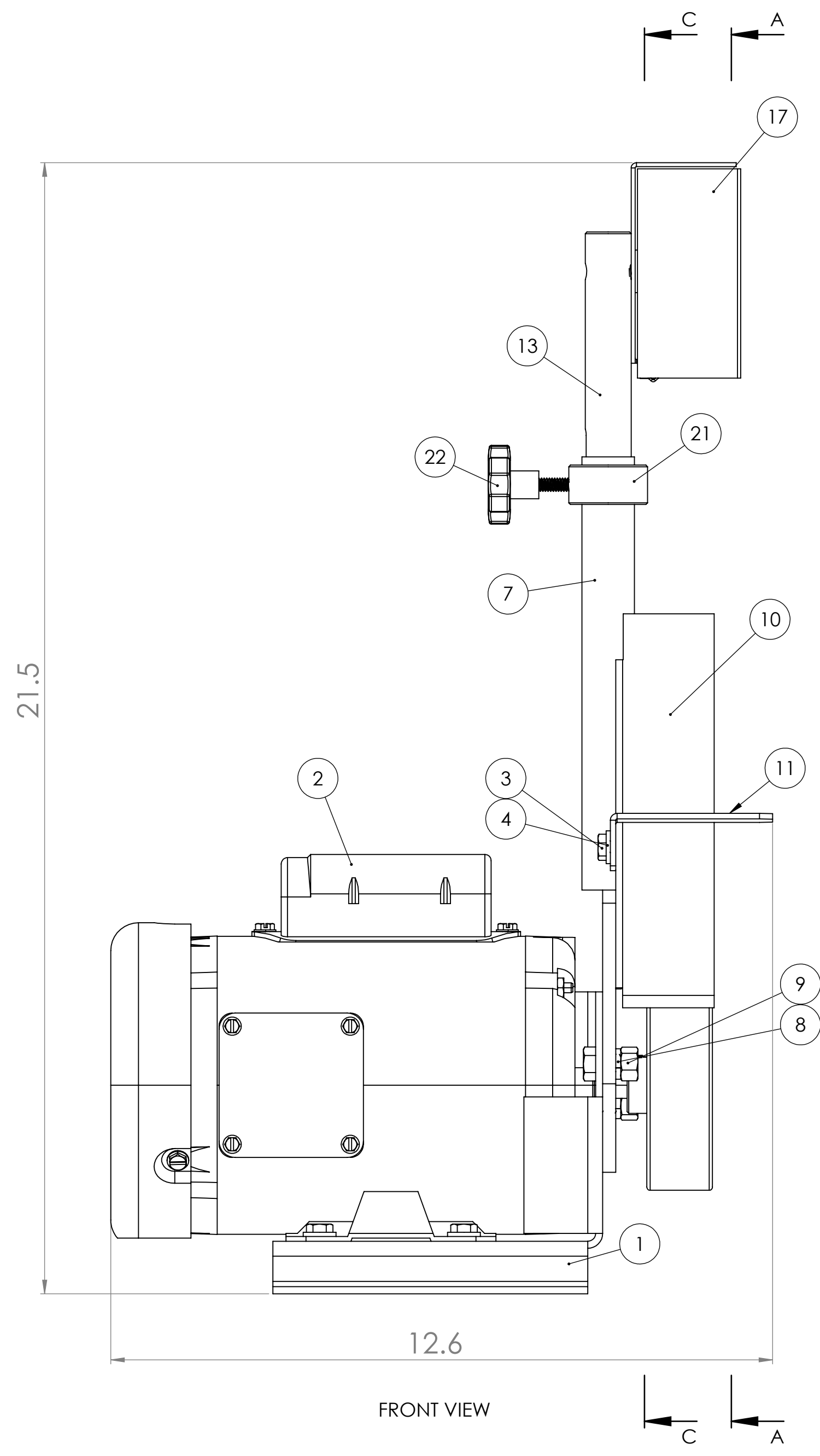
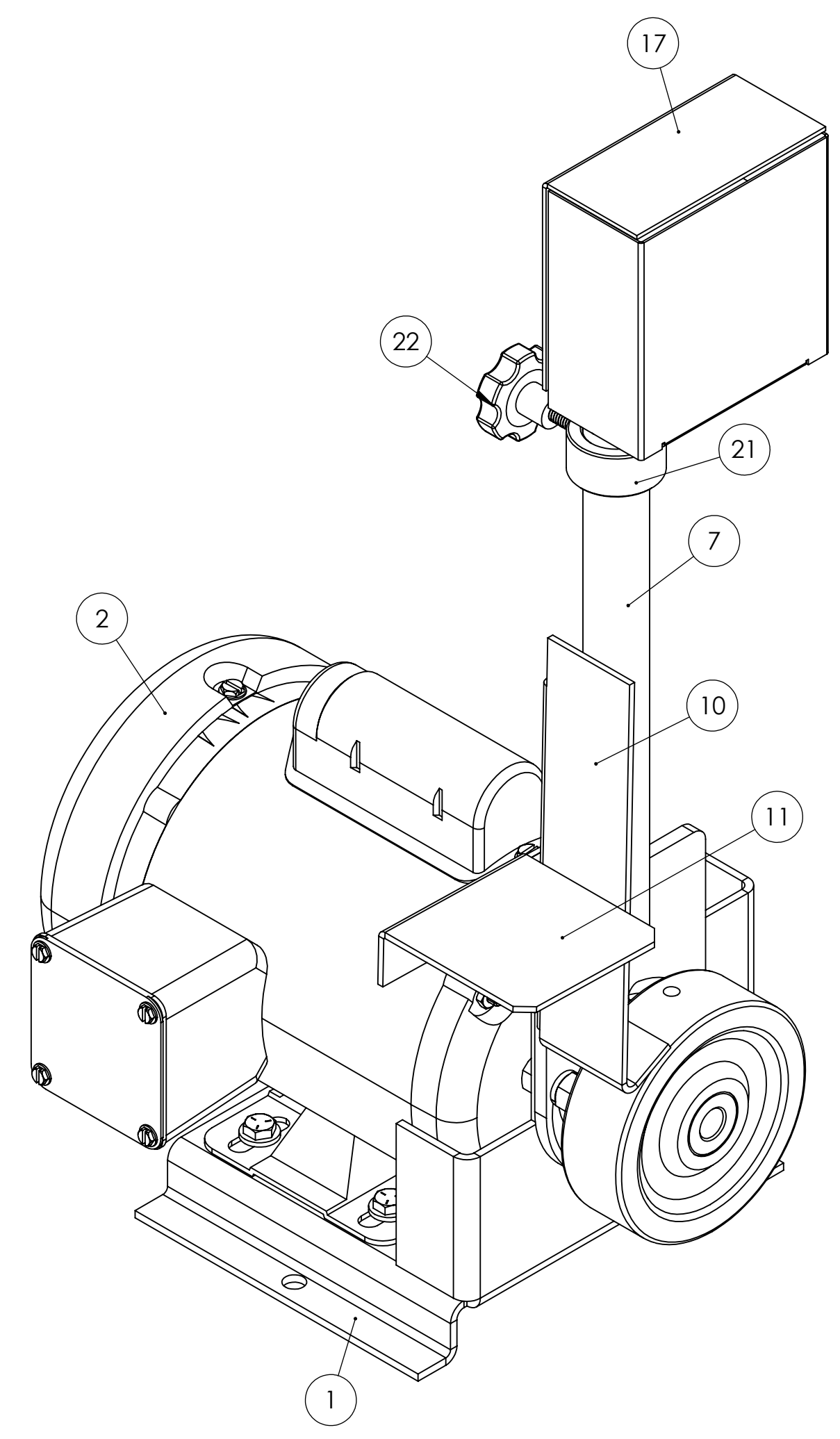
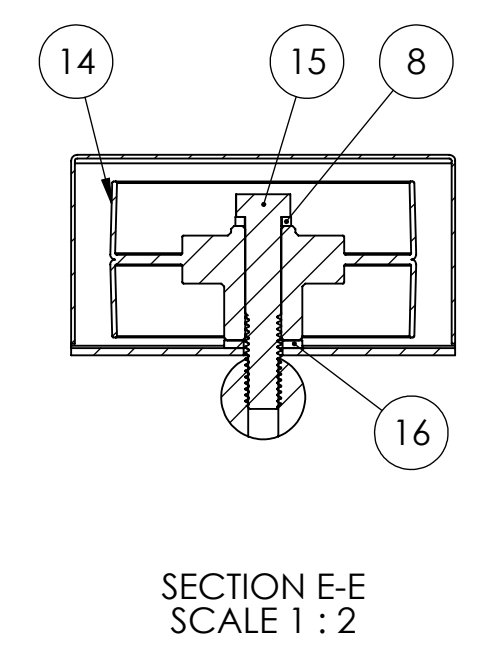
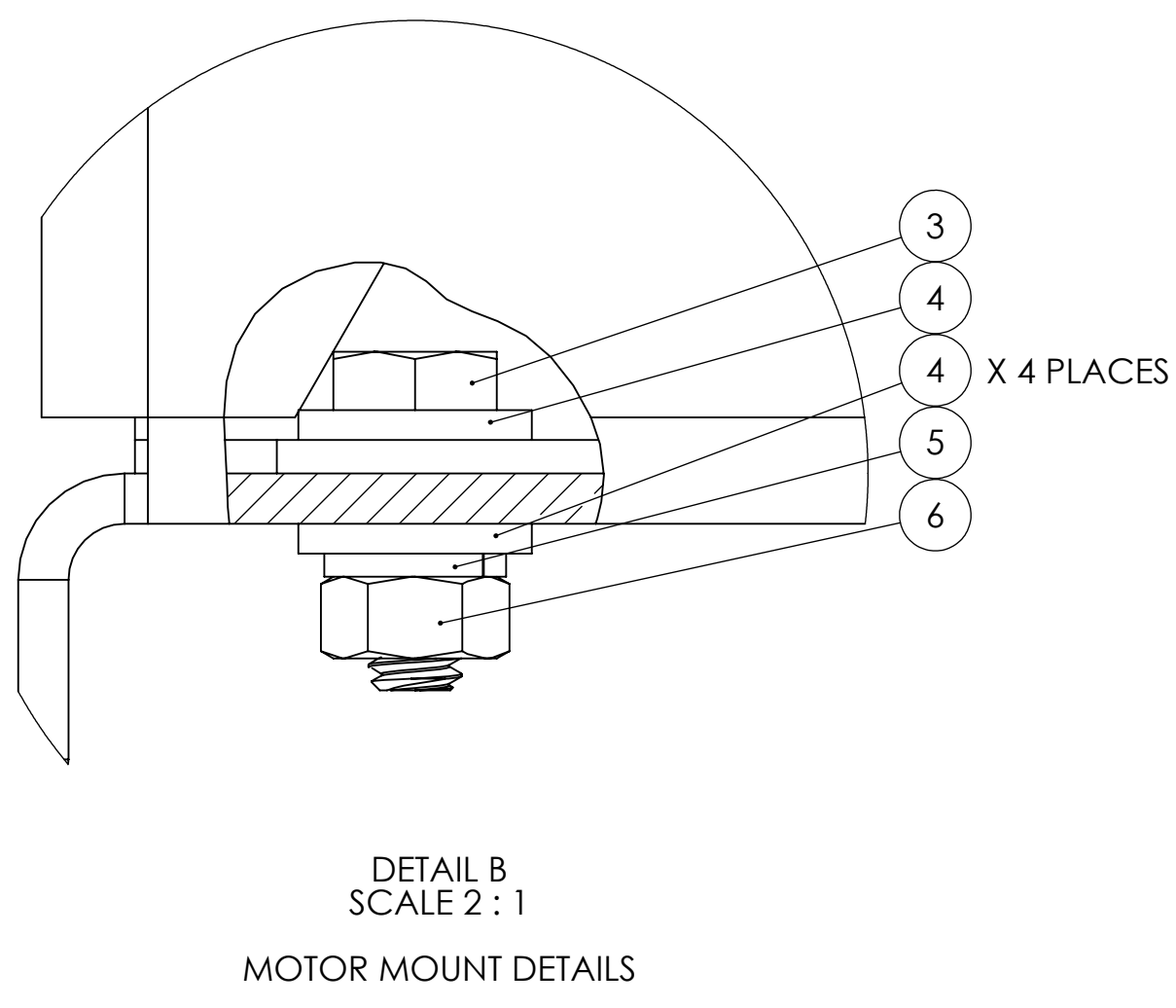


ITEM NO.	PART NUMBER	DESCRIPTION	QTY.
1	291-056BASE	BASE WITHOUT TUBE SUPPORT FOR 1SMVP	1
2	486-021	1/3HP MOTOR FOR 1SM	1
3	HHC5025012	1/4-20 X 3/4 HHCS GR5 Z	5
4	UFWZ025	1/4 USS F/W Z	11
5	SLWZ025	1/4 SPLIT L/W Z	6
6	FHN5025	1/4-20 FHN GR5 Z	6
7	832-025	TUBE SUPPORT WITH MOUNTING PLATE FOR 1SMVP	1
8	SLWZ037	3/8 SPLIT L/W Z	3
9	FHN5037	3/8-16 FHN GR5 Z	2
10	563-047	STANDARD PLATEN FOR 1SMVP	1
11	829-013	1SM WORK TABLE	1
12	697-020	TENSION SPRING FOR 1SM AND 1SK6 SANDERS	1
13	700-005	TENSION SHAFT FOR 1SM, 1SK6 SANDERS	1
14	560-018	1SM IDLER PULLEY	1
15	HHC5037032	3/8-16 X 2 HHCS GR5 Z	1
16	UFWZ037	3/8 USS F/W Z	1
17	342-087	1SM, 1SK6 GUARD FOR IDLER PULLEY	1
18	560-017	1SM DRIVE PULLEY	1
19	SSKA025006	1/4-20 X 3/8 SOC SET KNURL PT.	1
20	SSSA025024	1/4-20 X 1-1/2 SOC SET CUP PT.	1
21	123-015	TRACKING COLLAR FOR 1SM, 1SK6, S1	1
22	441-015	TRACKING KNOB	1



PROPRIETARY AND CONFIDENTIAL  
 THE INFORMATION CONTAINED IN THIS DRAWING IS THE SOLE PROPERTY OF KALAMAZOO INDUSTRIES, INC. ANY REPRODUCTION IN PART OR AS A WHOLE WITHOUT THE WRITTEN PERMISSION OF KALAMAZOO INDUSTRIES, INC. IS PROHIBITED.

UNLESS OTHERWISE SPECIFIED:	DRAWN	NAME	DATE	KALAMAZOO INDUSTRIES, INC.
DIMENSIONS ARE IN INCHES	CHECKED			
FRACTIONAL ±	ENG APPR.			1 X 42 BELT SANDER/ VARIABLE POSITION
ANGULAR ± MACH ± BEND ±	MFG APPR.			SIZE DWG. NO.
TWO PLACE DECIMAL ±	Q.A.			D 1SMVP
THREE PLACE DECIMAL ±	COMMENTS:			SCALE: 1:5 WEIGHT: SHEET 1 OF 1
INTERPRET GEOMETRIC TOLERANCING PER:				
MATERIAL:				
FINISH:				
APPLICATION	NEXT ASSY	USED ON	DO NOT SCALE DRAWING	