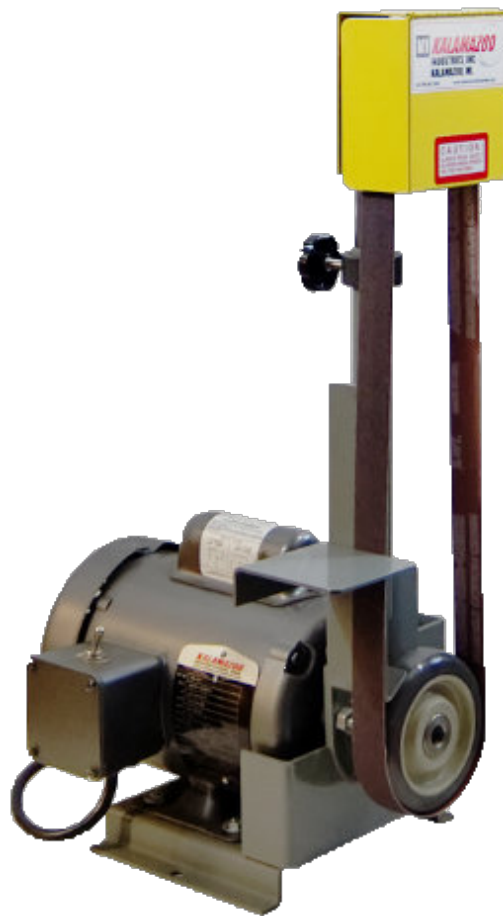


**KI** **KALAMAZOO**  
INDUSTRIES, INC.  
KALAMAZOO, MI

PH: (269) 382-2050

[www.kalamazooind.com](http://www.kalamazooind.com)

# 1SMVP MULTI POSITION BELT SANDER MANUAL



MADE IN USA

# **KI** **KALAMAZOO** INDUSTRIES, INC. KALAMAZOO, MI

PH: (269) 382-2050

www.kalamazooind.com

## **WARNING!**

TO REDUCE THE RISK OF FIRE OR SHOCK HAZARD,  
DO NOT EXPOSE THIS EQUIPMENT TO RAIN, ANY LIQUID OR MOISTURE.

## **INSPECTION**

If these goods are damaged in transit, the **DELIVERING TRANSPORTATION COMPANY** is required by law to make notation of damages on the freight bill. If in your opinion, there may be concealed damage, they are required to make an inspection after goods are unpacked. Transportation rates are made in proportion to damage. Therefore, the carrier and **NOT** the shipper should be charged with any loss or damage. Any claim should be filled with the delivering **TRANSPORTATION COMPANY. PLEASE DO NOT RETURN GOODS TO US WITHOUT OUR RGA NUMBER AND SHIPPING INSTRUCTIONS.**

**NOTE: SEE NEXT PAGE FOR RETURN POLICY AND WARRANTY.**

## **IMPORTANT**

Read Operating Instructions before using equipment.

## **OPERATING INSTRUCTION**

1. **Disconnect power** before making any adjustments.
2. Abrasive belt rotation is counter-clockwise. If the abrasive belt is lap spliced be sure of the correct belt rotation. Butt spliced belts bi-directional.
3. Belt tension is pre-set with internal spring **(12)**. No belt tension adjustment is required.
4. To change belt **disconnect power**, loose tracking knob **(22)**, open belt guard **(17)**, compress spring belt tension by pushing down on tension shaft **(13)**, remove belt and replace with new belt of your choice.
5. Belt tracking- with power disconnected rotate belt by hand to center or "track" sanding belt. Rotate tracking knob **(22)** and tracking collar **(21)**, left and or right turns the tension shaft **(13)** to "track" the belt. Re-lock the tracking knob **(22)** to lock in belt tracking. Close belt guard **(17)** and reconnect connect power.

**KI** **KALAMAZOO**  
INDUSTRIES, INC.  
KALAMAZOO, MI



PH: (269) 382-2050

[www.kalamazooind.com](http://www.kalamazooind.com)

### **WARRANTY**

All products are guaranteed for a period of one year from receipt of order to the original purchaser, against defects in material workmanship under normal use. Electric motors are warranted by the motor manufacturer for a period of one year and will be repaired by the nearest motor repair station. If non-repairable, they will be replaced by Kalamazoo Industries. Please call for instructions (269) 382-2050.

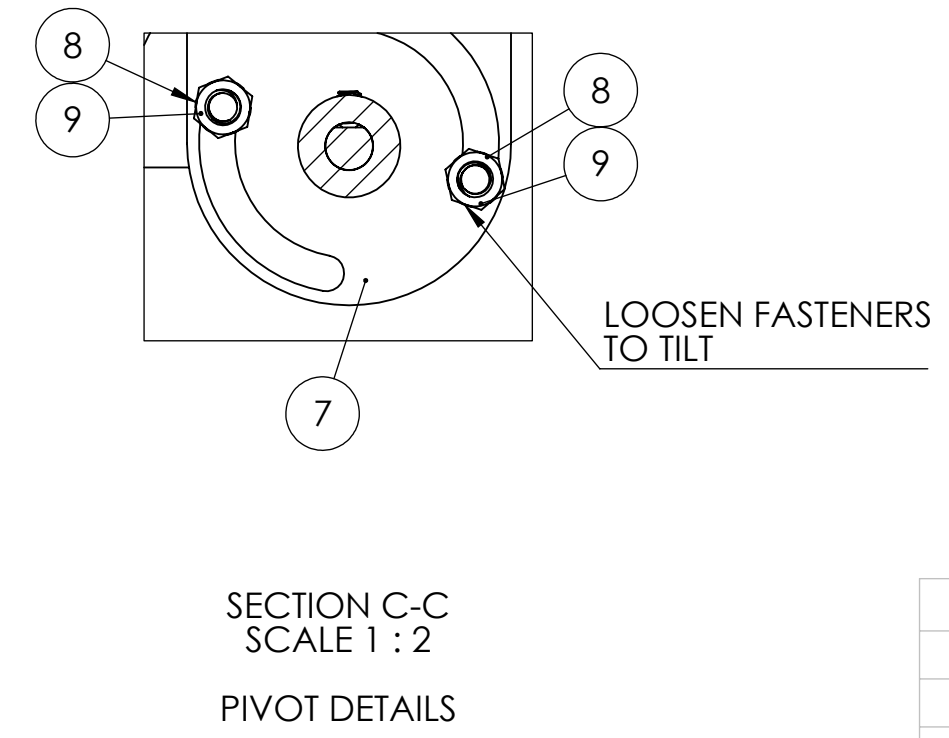
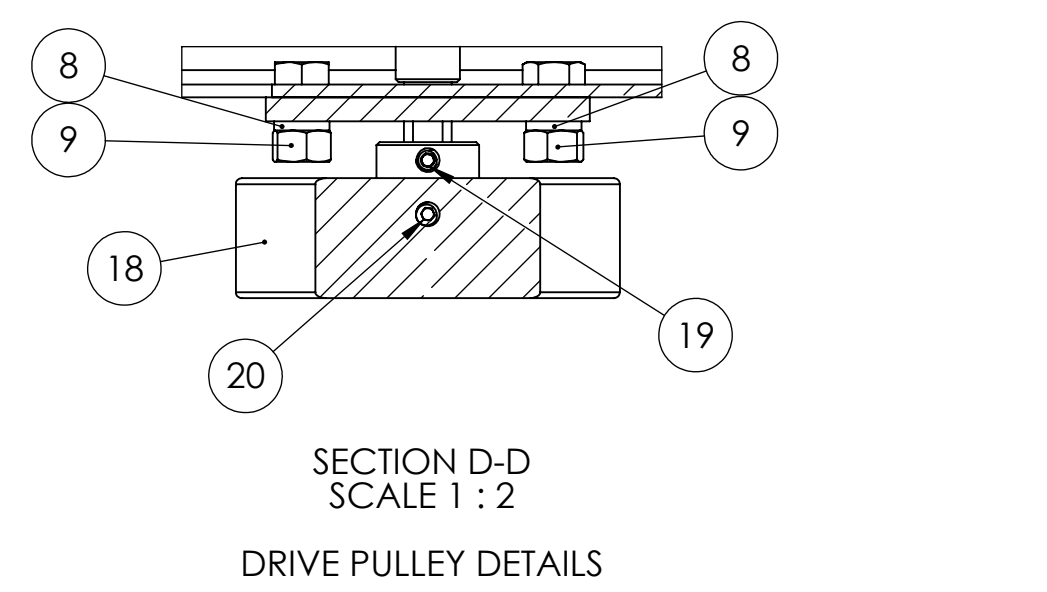
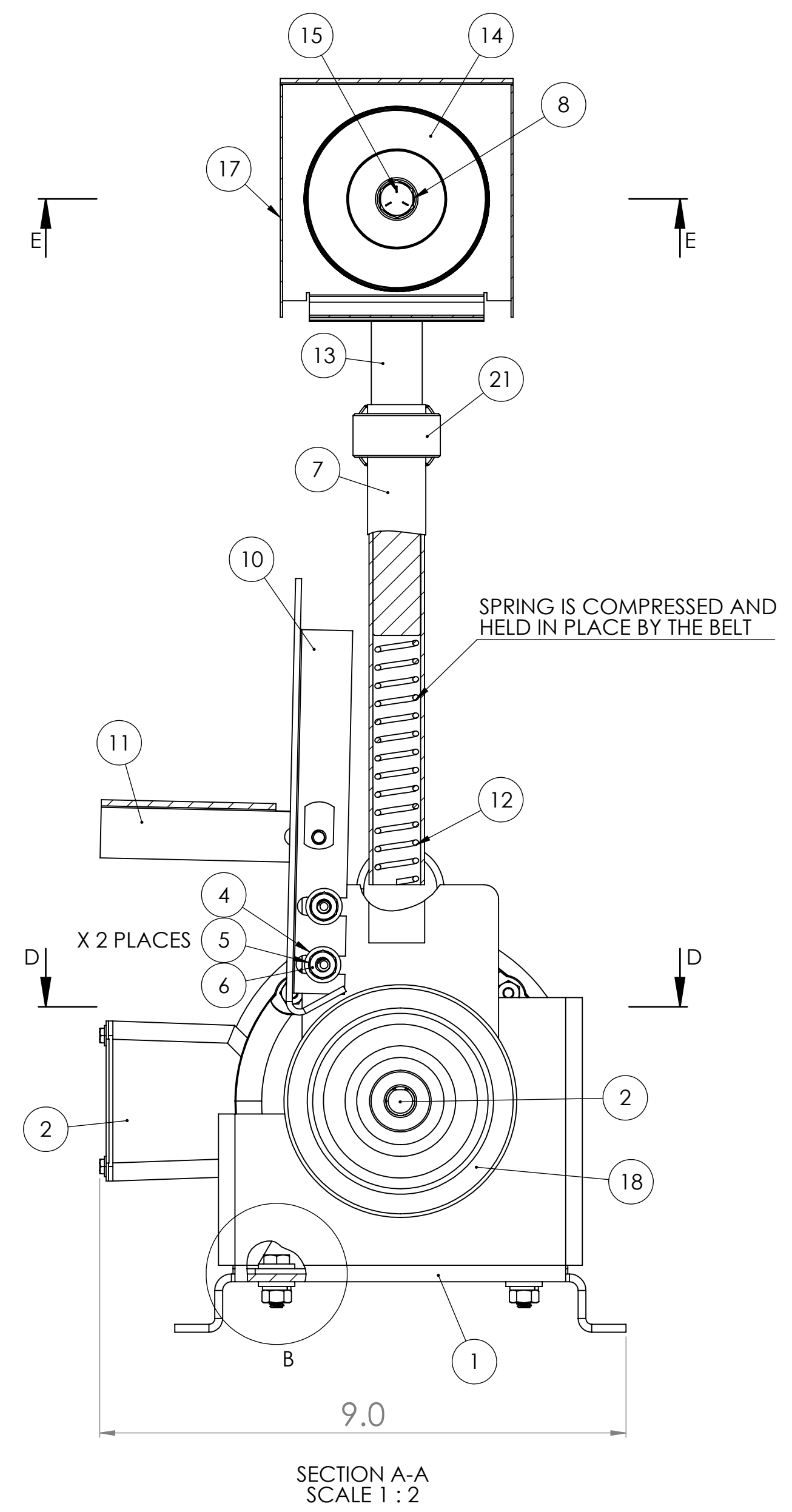
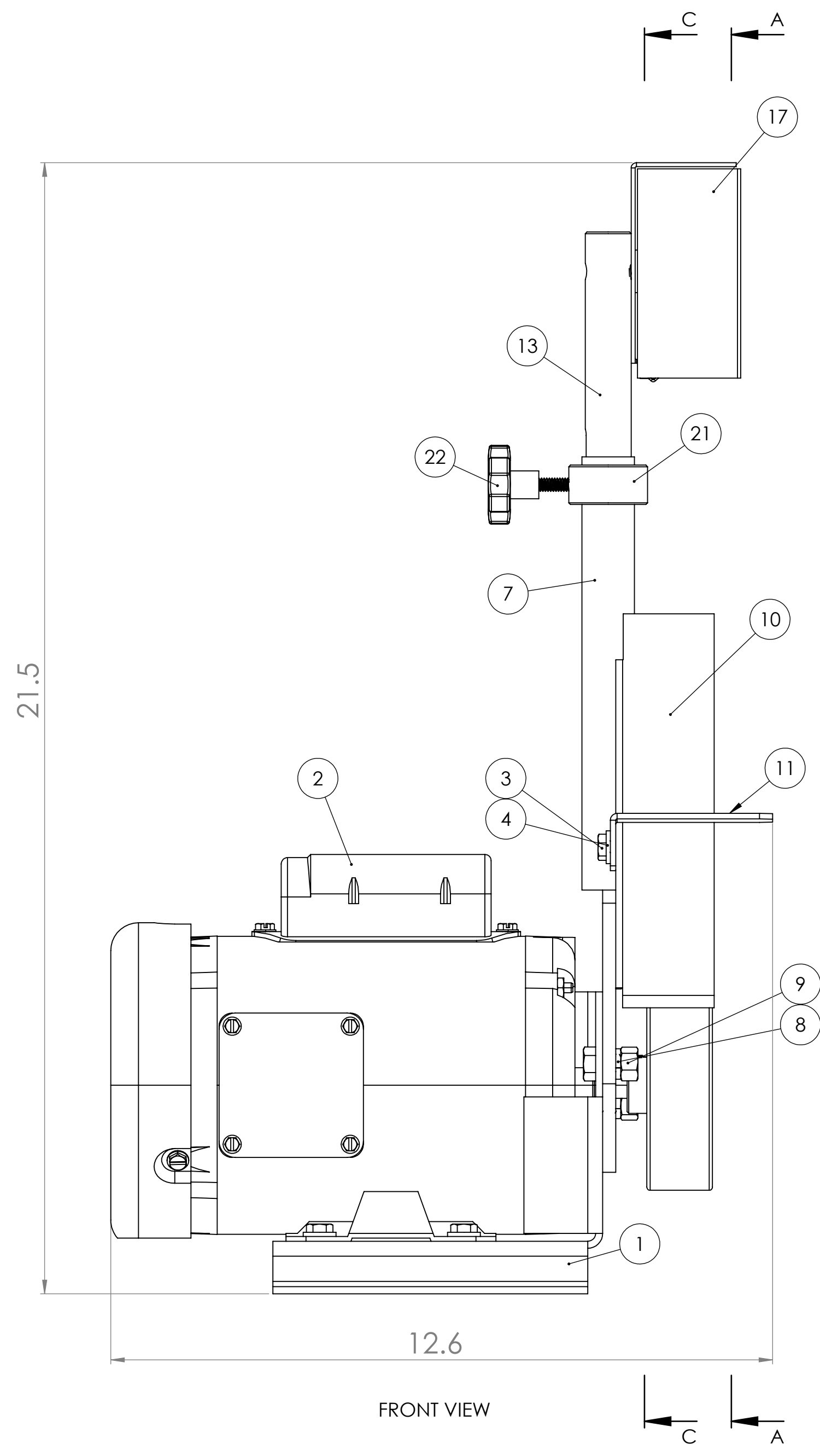
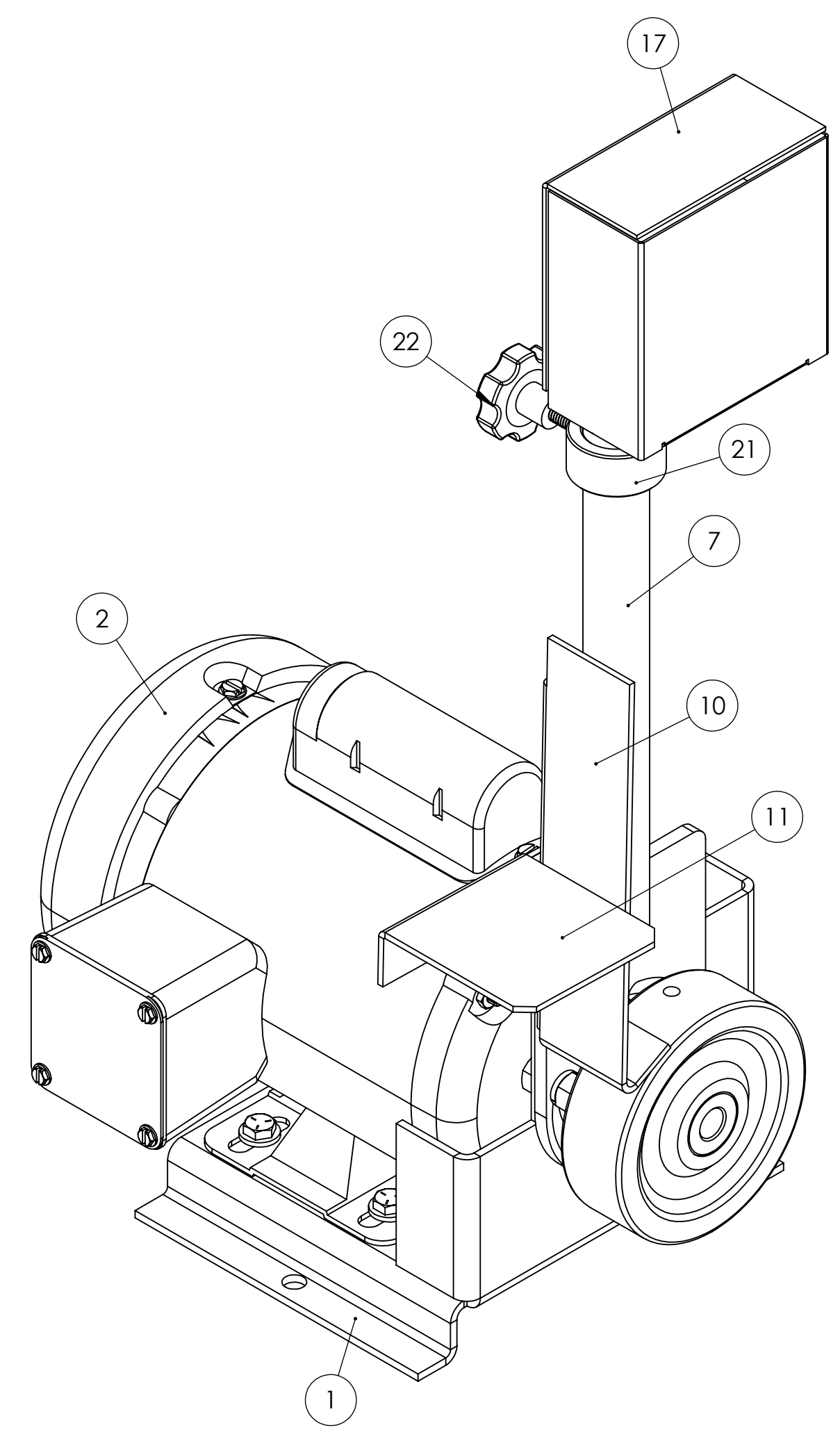
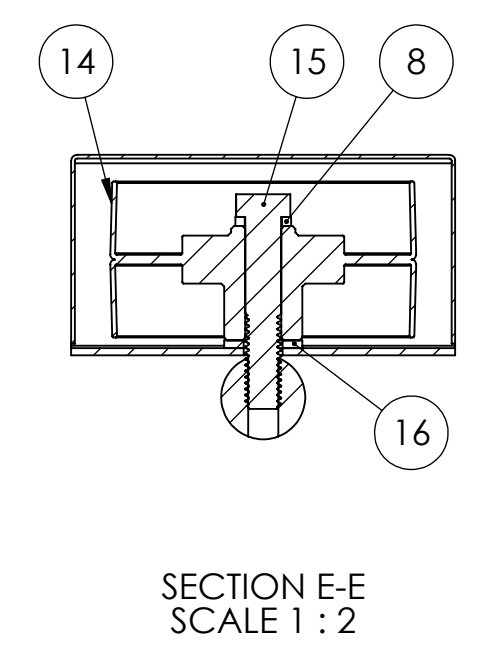
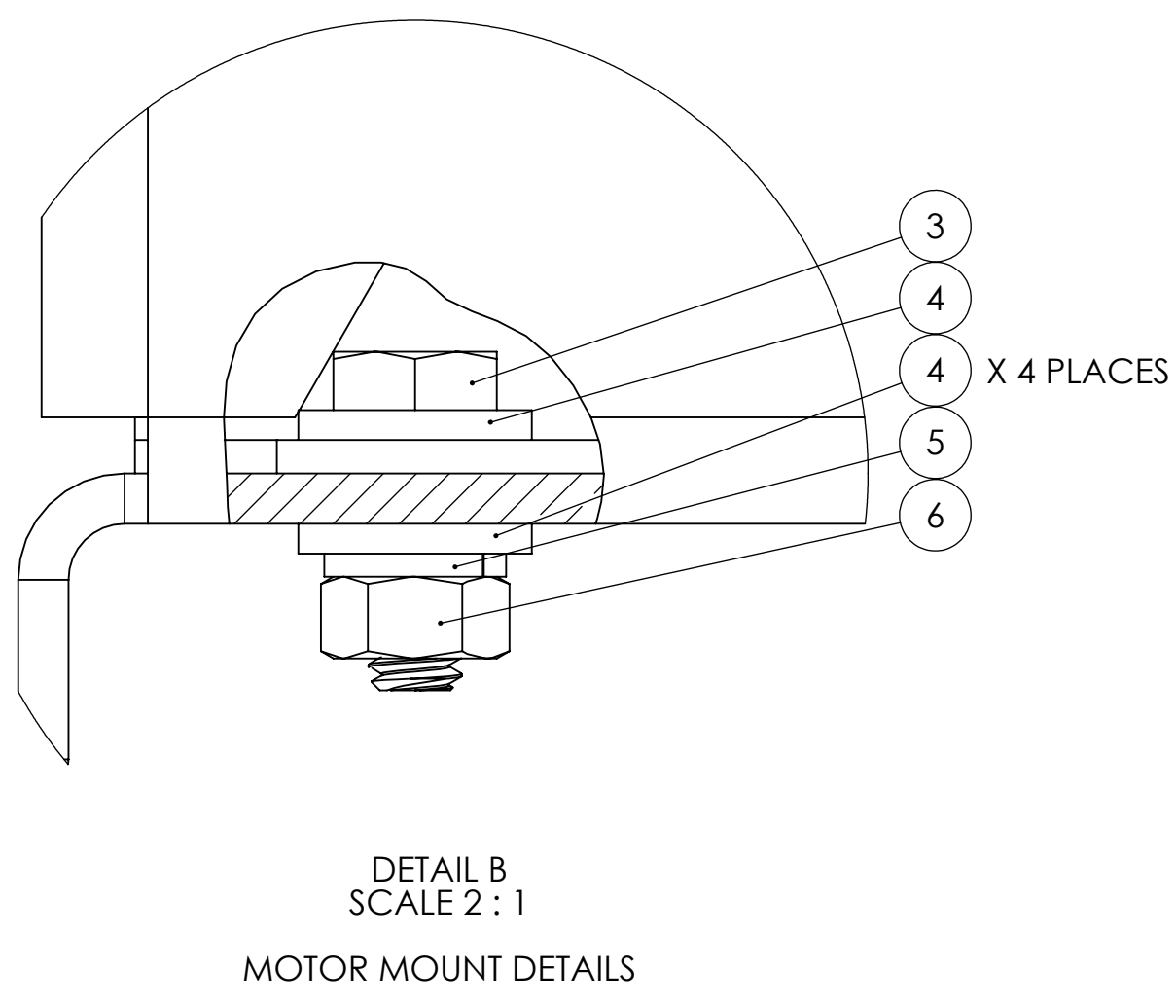
### **RETURN POLICY**

Authorization must be obtained before returning merchandise. Please call our customer service department for a return authorization number (269) 382-2050. Please include with your return a copy of your invoice of packing slip. All material must be new and unused in the original packaging. Material must be sent back prepaid (unless otherwise indicated) by Kalamazoo Industries. Credit upon inspection at Kalamazoo Industries. All returns will be subject to a 10% restock charge. Used merchandise is non-returnable. No returns will be accepted after one year of invoice date.

### **BELT SANDER SAFETY**

- READ THE OPERATING INSTRUCTIONS BEFORE RUNNING MACHINE.
- ALWAYS WEAR SAFETY GLASSES OR A FULL FACE SHIELD FOR PROTECTION.
- KEEP HANDS CLEAR OF THE SANDING AREA.
- NEAR WEAR GLOVES OR LOOSE FITTING CLOTHES WHEN OPERATING THIS MACHINE.
- ALWAYS KEEP HAIR TIED BACK OR COVERED.
- LET MACHINE ROTATION COME TO A FULL STOP BEFORE CHANGING BELT.
- KEEP SAFETY GUARDS IN PLACE. DO NOT ALTER GUARD OR MACHINE IN ANYWAY. ANY ALTERATIONS TO GUARDS OR MACHINE COULD CAUSE SERIOUS INJURY.
- ALL BELT SANDERS SHOULD BE OPERATED IN A WELL-VENTILATED AREA. THE DUST CREATED WHEN SOME MATERIALS ARE SANDED CAN BE HARMFUL. DUST MASKS ARE RECOMMEND AS A PRACTICAL MEAN OF MINIMIZING DUST INHALATION. FUMES FROM OTHER OTHER SOURCES CAN ALSO CAUSES FIRES WHEN INTACT WITH SANDING SPARK.
- SPARKS CREATED BY SANDING SHOULD BE DIRECTED DOWNWARD AND AWAY FROM THE FACE AND BODY. DON NOT GRIND NEAR FLAMMABLE MATERIAL.
- ELECTRIC SANDING MACHINES ARE NOT INTENDED FOR USE IN OR NEAR WATER. THIS INCLUDES AN OPERATOR STANDING ON A WET FLOOR OR WORKING AROUND CONTAINERS OF WATER OR OTHER CONDUCTIVE LIQUIDS.

ITEM NO.	PART NUMBER	DESCRIPTION	QTY.
1	291-056BASE	BASE WITHOUT TUBE SUPPORT FOR 1SMVP	1
2	486-021	1/3HP MOTOR FOR 1SM	1
3	HHC5025012	1/4-20 X 3/4 HHCS GR5 Z	5
4	UFWZ025	1/4 USS F/W Z	11
5	SLWZ025	1/4 SPLIT L/W Z	6
6	FHN5025	1/4-20 FHN GR5 Z	6
7	832-025	TUBE SUPPORT WITH MOUNTING PLATE FOR 1SMVP	1
8	SLWZ037	3/8 SPLIT L/W Z	3
9	FHN5037	3/8-16 FHN GR5 Z	2
10	563-047	STANDARD PLATEN FOR 1SMVP	1
11	829-013	1SM WORK TABLE	1
12	697-020	TENSION SPRING FOR 1SM AND 1SK6 SANDERS	1
13	700-005	TENSION SHAFT FOR 1SM, 1SK6 SANDERS	1
14	560-018	1SM IDLER PULLEY	1
15	HHC5037032	3/8-16 X 2 HHCS GR5 Z	1
16	UFWZ037	3/8 USS F/W Z	1
17	342-087	1SM, 1SK6 GUARD FOR IDLER PULLEY	1
18	560-017	1SM DRIVE PULLEY	1
19	SSKA025006	1/4-20 X 3/8 SOC SET KNURL PT.	1
20	SSSA025024	1/4-20 X 1-1/2 SOC SET CUP PT.	1
21	123-015	TRACKING COLLAR FOR 1SM, 1SK6, S1	1
22	441-015	TRACKING KNOB	1



PROPRIETARY AND CONFIDENTIAL  
THE INFORMATION CONTAINED IN THIS DRAWING IS THE SOLE PROPERTY OF KALAMAZOO INDUSTRIES, INC. ANY REPRODUCTION IN PART OR AS A WHOLE WITHOUT THE WRITTEN PERMISSION OF KALAMAZOO INDUSTRIES, INC. IS PROHIBITED.

UNLESS OTHERWISE SPECIFIED: DIMENSIONS ARE IN INCHES FRACTIONAL ± ANGULAR ± MACH ± BEND ± TWO PLACE DECIMAL ± THREE PLACE DECIMAL ±	DRAWN CHECKED ENG APPR. MFG APPR.	NAME DATE	
INTERPRET GEOMETRIC TOLERANCING PER: MATERIAL FINISH	Q.A. COMMENTS:		
NEXT ASSY APPLICATION	USED ON DO NOT SCALE DRAWING		TITLE: <b>1 X 42 BELT SANDER/          VARIABLE POSITION</b> SIZE DWG. NO. <b>D 1SMVP</b> SCALE: 1:5 WEIGHT: SHEET 1 OF 1