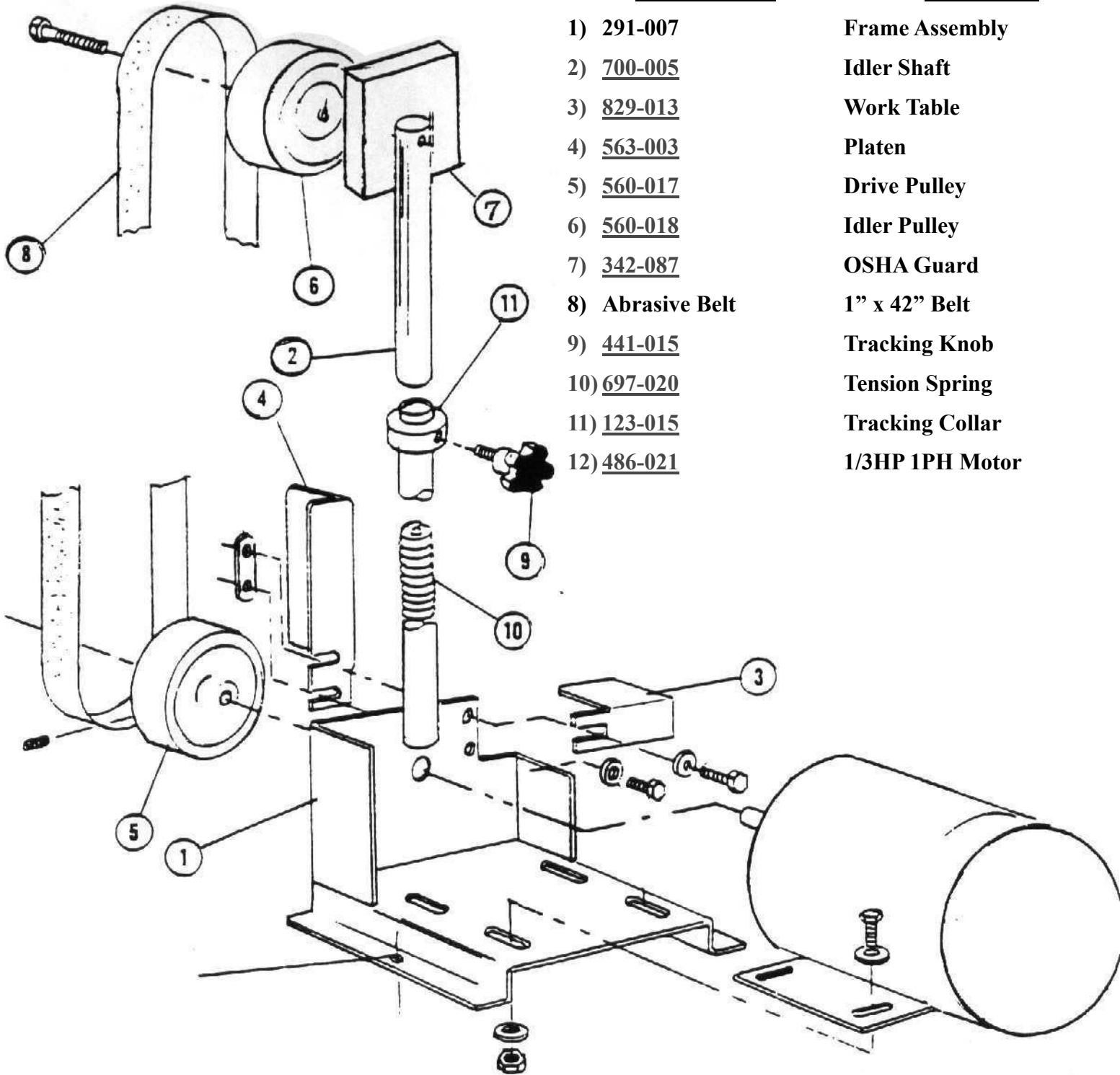


## 1SM Sander Parts List



<u>Part Numbers</u>	<u>Description</u>
1) <u>291-007</u>	Frame Assembly
2) <u>700-005</u>	Idler Shaft
3) <u>829-013</u>	Work Table
4) <u>563-003</u>	Platen
5) <u>560-017</u>	Drive Pulley
6) <u>560-018</u>	Idler Pulley
7) <u>342-087</u>	OSHA Guard
8) <u>Abrasive Belt</u>	1" x 42" Belt
9) <u>441-015</u>	Tracking Knob
10) <u>697-020</u>	Tension Spring
11) <u>123-015</u>	Tracking Collar
12) <u>486-021</u>	1/3HP 1PH Motor



**KALAMAZOO  
INDUSTRIES, INC.**

6856 East K Avenue  
Kalamazoo, MI 49048  
269-382-2050 PH  
269-382-0790 FAX  
[www.kalamazooind.com](http://www.kalamazooind.com)