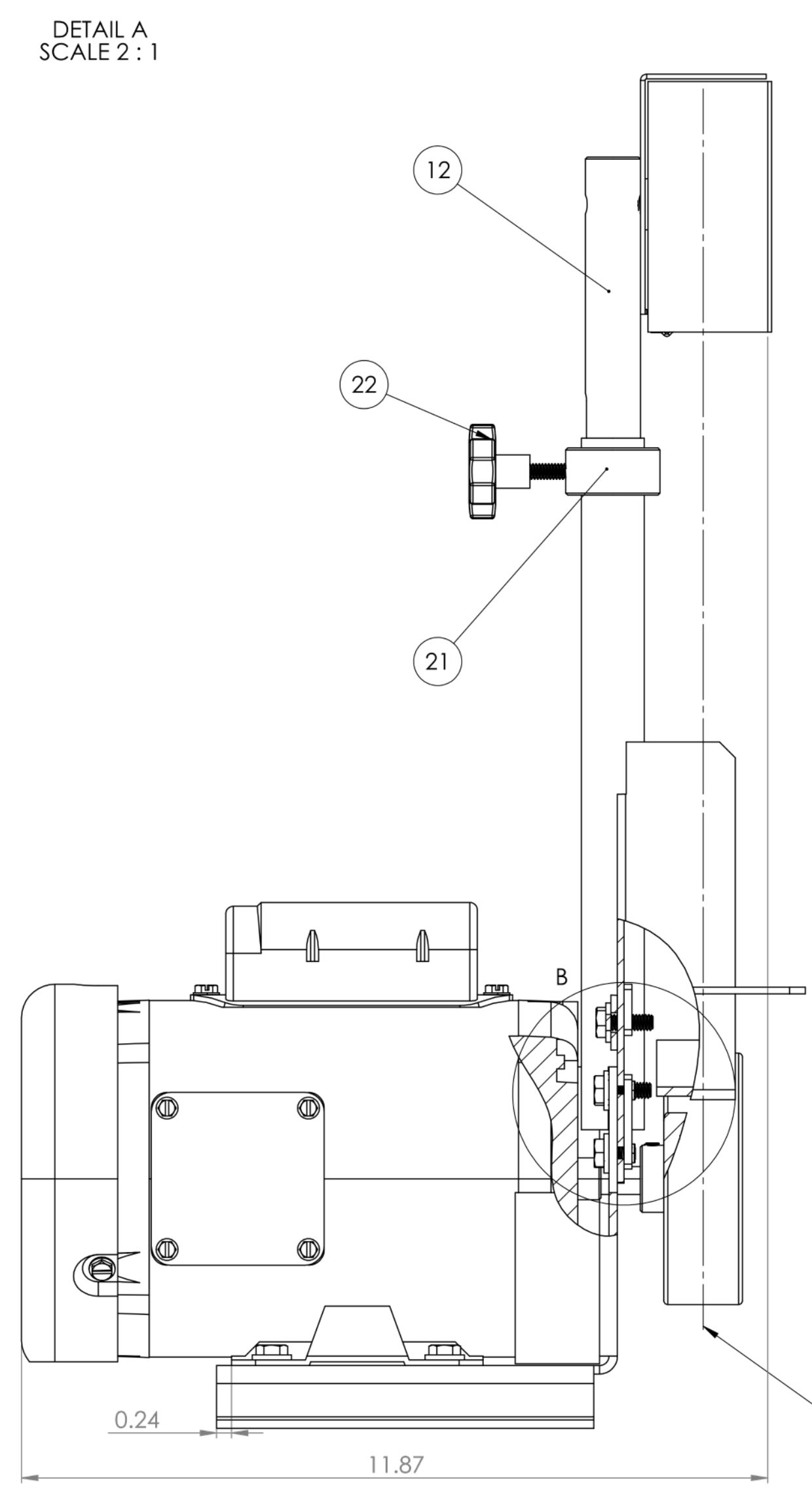


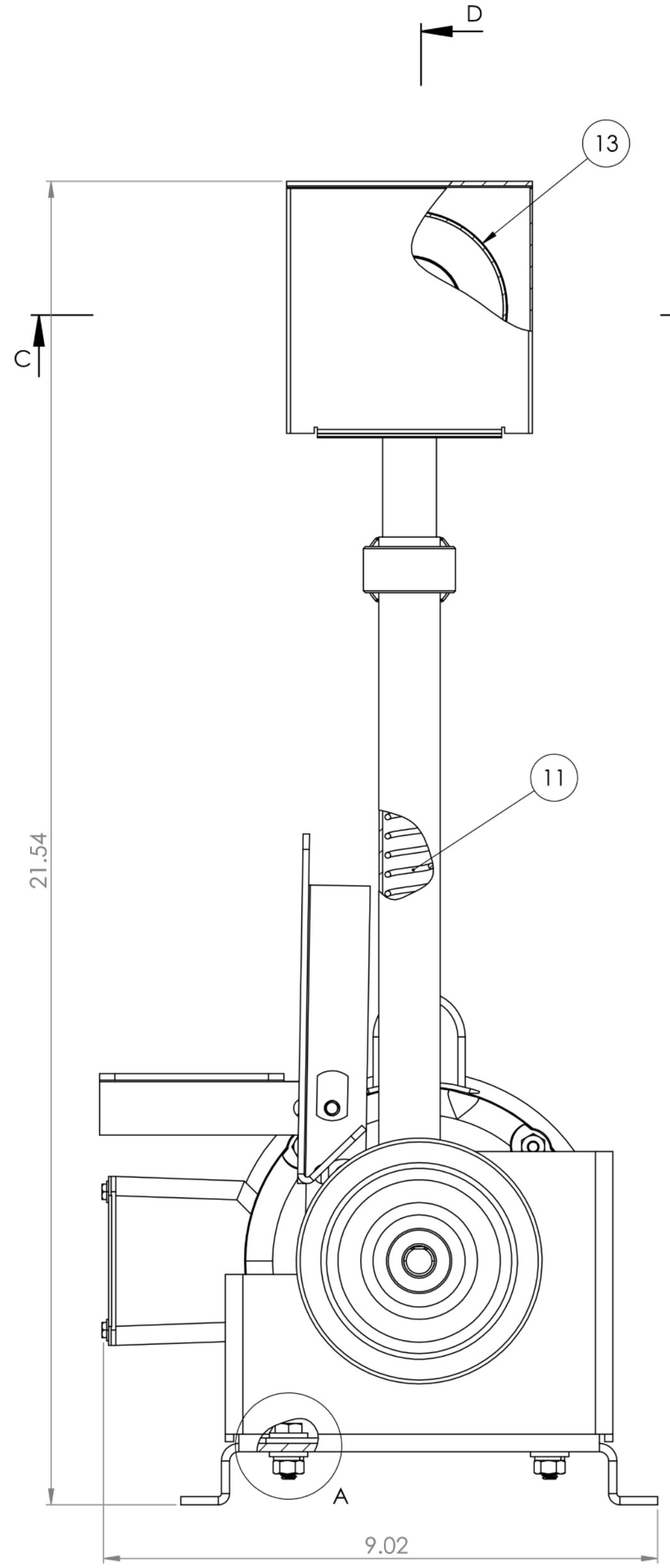
ITEM NO.	PART NUMBER	DESCRIPTION	QTY.
1	291-007	1SM FRAME ASSEMBLY	1
2	486-021	1/3HP, 1PH, 1725RPM, 60HTZ, 48F FOR 1SM 34C051-5506G14	1
3	HHC5025012	1/4-20 X 3/4 HHCS GR5 Z	6
4	UFWZ025	1/4 USS F/W Z	11
5	SLWZ025	1/4 SPLIT L/W Z	4
6	FHN5025	1/4-20 FHN GR5 Z	4
7	563-003	1SM PLATEN WELDMENT	1
8	HHC5025008	1/4-20 X 1/2 HHCS GR5 Z	1
9	BUCKTP2116	1/4-20 TAB SPOT WELD NUT DOUBLE ALLOY	1
10	829-013	1SM WORK TABLE	1
11	697-020	TENSION SPRING FOR 1SM AND 1SK6 SANDERS	1
12	700-005	TENSION SHAFT FOR 1SM, 1SK6 SANDERS	1
13	560-018	1SM IDLER PULLEY	1
14	HHC5037032	3/8-16 X 2 HHCS GR5 Z	1
15	UFWZ037	3/8 USS F/W Z	1
16	SLWZ037	3/8 SPLIT L/W Z	1
17	342-087	1SM, 1SK6 GUARD FOR IDLER PULLEY	1
18	560-017	1SM DRIVE PULLEY	1
19	SSKA025006	1/4-20 X 3/8 SOC SET KNURL PT.	1
20	SSSA025024	1/4-20 X 1-1/2 SOC SET CUP PT.	1
21	123-015	TRACKING COLLAR FOR 1SM, 1SK6, S1	1
22	441-015	TRACKING KNOB	1



DETAIL B
SCALE 1:1

SECTION C-C

SECTION D-D



0.24
11.87

VERTICAL PULLEY
CENTER LINE

PROPRIETARY AND CONFIDENTIAL
THE INFORMATION CONTAINED IN THIS DRAWING IS THE SOLE PROPERTY OF KALAMAZOO INDUSTRIES, INC. ANY REPRODUCTION IN PART OR AS A WHOLE WITHOUT THE WRITTEN PERMISSION OF KALAMAZOO INDUSTRIES, INC. IS PROHIBITED.

UNLESS OTHERWISE SPECIFIED:		NAME	DATE	KALAMAZOO INDUSTRIES, INC.
DIMENSIONS ARE IN INCHES	DRAWN			
FRACTIONAL ±	CHECKED			
ANGULAR: MACH ± BEND ±	ENG APPR.			
TWO PLACE DECIMAL ±	MFG APPR.			
THREE PLACE DECIMAL ±	Q.A.			
INTERPRET GEOMETRIC TOLERANCING PER:	COMMENTS:			
MATERIAL				
FINISH				
APPLICATION	DO NOT SCALE DRAWING			

SIZE	DWG. NO.	REV
D	1SM SANDER ASSEMBLY	
SCALE: 1:2	WEIGHT:	SHEET 1 OF 1