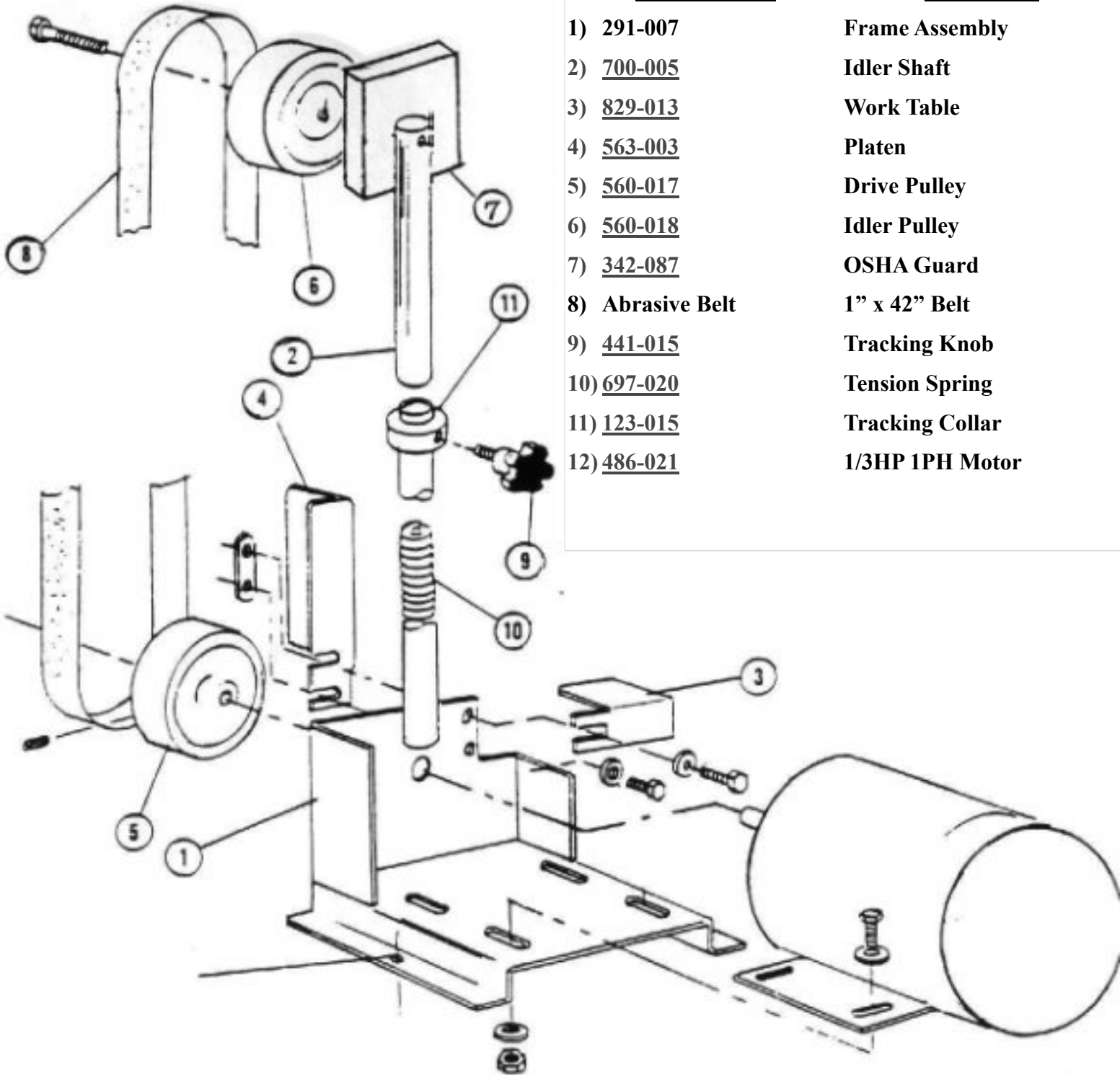


1SM Sander Parts List



<u>Part Numbers</u>	<u>Description</u>
1) <u>291-007</u>	Frame Assembly
2) <u>700-005</u>	Idler Shaft
3) <u>829-013</u>	Work Table
4) <u>563-003</u>	Platen
5) <u>560-017</u>	Drive Pulley
6) <u>560-018</u>	Idler Pulley
7) <u>342-087</u>	OSHA Guard
8) Abrasive Belt	1" x 42" Belt
9) <u>441-015</u>	Tracking Knob
10) <u>697-020</u>	Tension Spring
11) <u>123-015</u>	Tracking Collar
12) <u>486-021</u>	1/3HP 1PH Motor

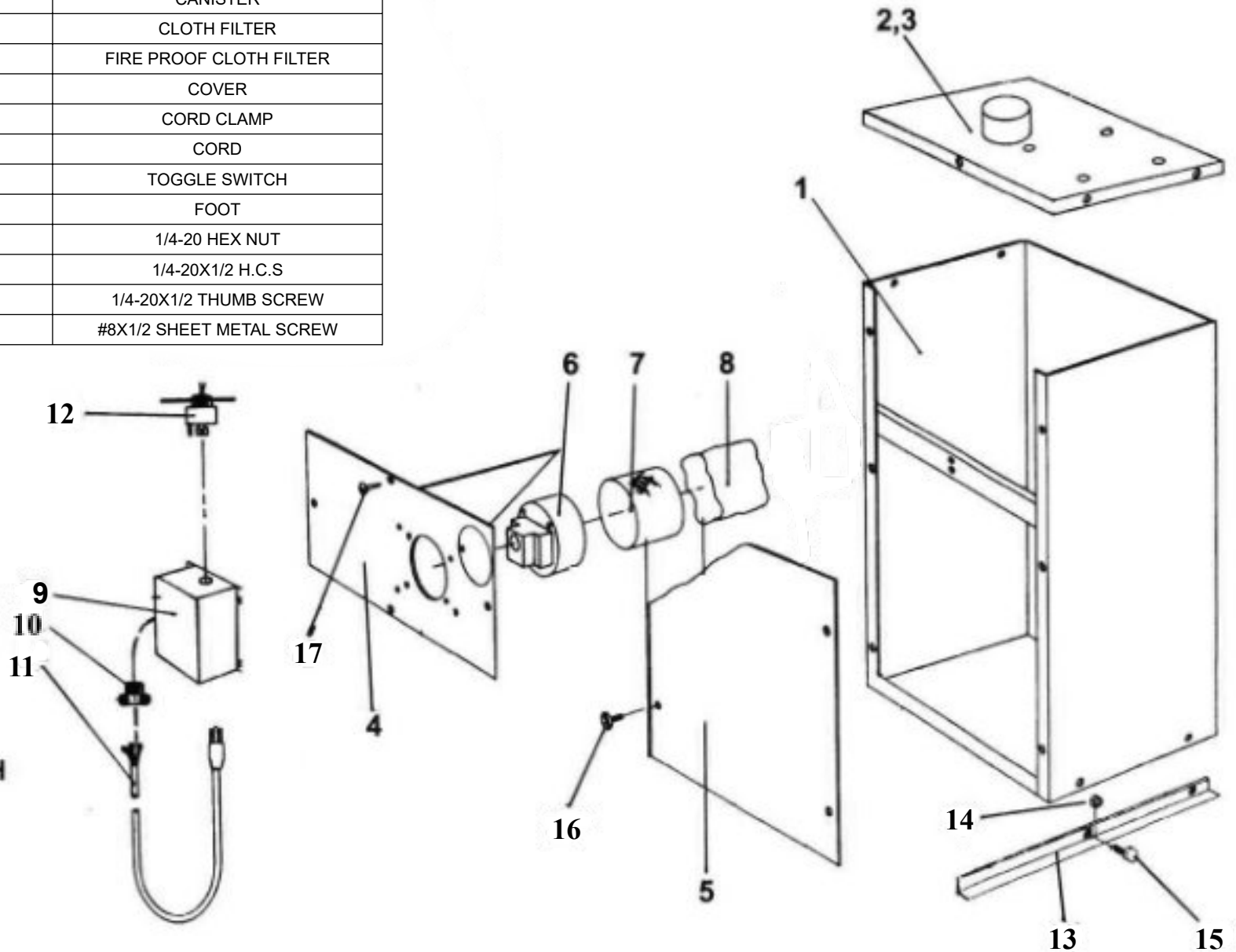
KI **KALAMAZOO**
INDUSTRIES, INC.

6856 East K Avenue
Kalamazoo, MI 49048
269-382-2050 PH
269-382-0790 FAX
www.kalamazooind.com

Item	Part Number	Description
1	-	Vacuum Cabinet
2	833-001	S4S TOP
3	833-002	DS10 TOP
4	-	MOUNTING PANEL
5	-	DOOR
6	486-005	VACUUM MOTOR
7	120-001	CANISTER
8	5X878	CLOTH FILTER
8	5X878FP	FIRE PROOF CLOTH FILTER
9	122-001	COVER
10	146-003	CORD CLAMP
11	157-001	CORD
12	710-007	TOGGLE SWITCH
13	-	FOOT
14	-	1/4-20 HEX NUT
15	-	1/4-20X1/2 H.C.S
16	-	1/4-20X1/2 THUMB SCREW
17	-	#8X1/2 SHEET METAL SCREW

KI KALAMAZOO INDUSTRIES, INC.

6856 E K AVE KALAMAZOO, MI 49048
 (269) 382-2050 PHONE (269) 382-0790 FAX
 www.kalamazooind.com



MODEL DCV-4

**DIMENSIONS:
 12"L x 16"W x 32"H**